

F

E

D

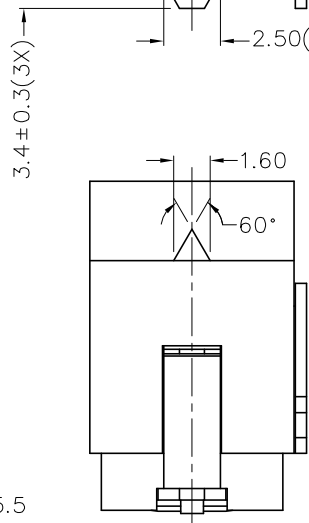
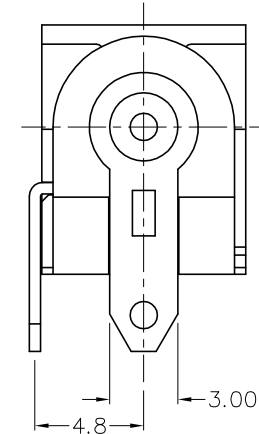
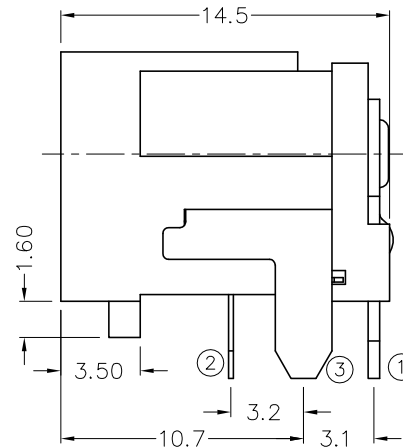
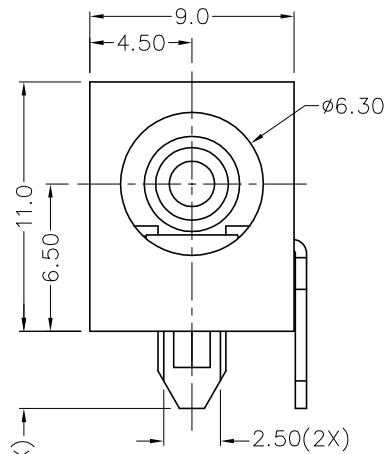
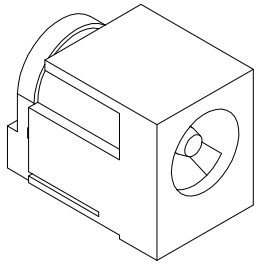
C

B

A

| ZONE | SYMBOL | REVISION      | APPROVAL  | DATE      |
|------|--------|---------------|-----------|-----------|
|      |        | ADD MATE PLUG | J.X.KUANG | 30-9-2006 |
|      |        |               |           |           |
|      |        |               |           |           |

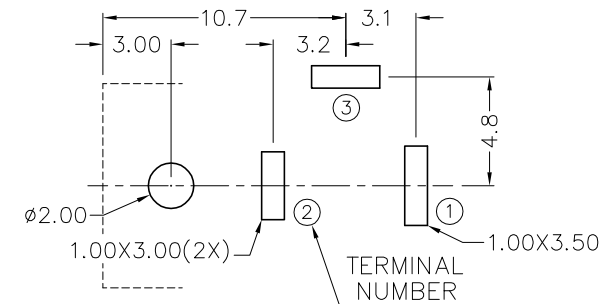
RoHS  
Compliant



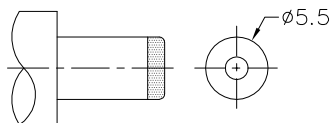
\* MATERIAL

CENTRE PIN : COPPER  
 TERMINAL 1 : BRASS  
 TERMINAL 2 : COPPER ALLOY  
 TERMINAL 3 : BRASS  
 HOUSING : PBT  
 COVER : PBT

|            |                |
|------------|----------------|
| MODEL NO.  | TDC-061        |
| SCHMATIC   |                |
| CENTER PIN | φ2mm<br>φ2.5mm |



PCB LAYOUT  
(BOTTOM VIEW)



DC MATE PLUG



**CHAMPWAY** 冠泰電子有限公司  
CHAMPWAY ELECTRONICS CO., LTD.

|          |           |      |           |          |                |
|----------|-----------|------|-----------|----------|----------------|
| DESIGN   | J.JIANG   | DATE | 8-12-2004 | SCALE    | 3:1            |
| DRAWING  | L.L.ZHANG | DATE | 30-9-2006 | MATERIAL | *              |
| CHECK    |           | DATE |           | DWG. NO. | TZ\DC061-PBT/B |
| APPROVAL |           | DATE |           | SHEET    |                |

|           |                 |                      |                        |       |  |
|-----------|-----------------|----------------------|------------------------|-------|--|
| PART NAME | DC POWER SOCKET | TOLERANCE UNLESS     | 0.0±0.2                | UNIT: |  |
| PART NO.  | TDC-061         | OTHERWISE SPECIFIED: | 0.00±0.1<br>0.000±0.05 | mm    |  |

F

E

D

C

B

A

DCF-04/A