

F

E

D

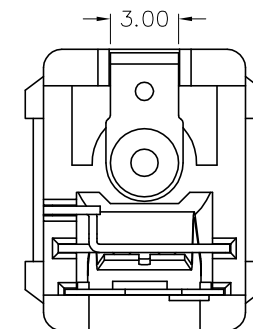
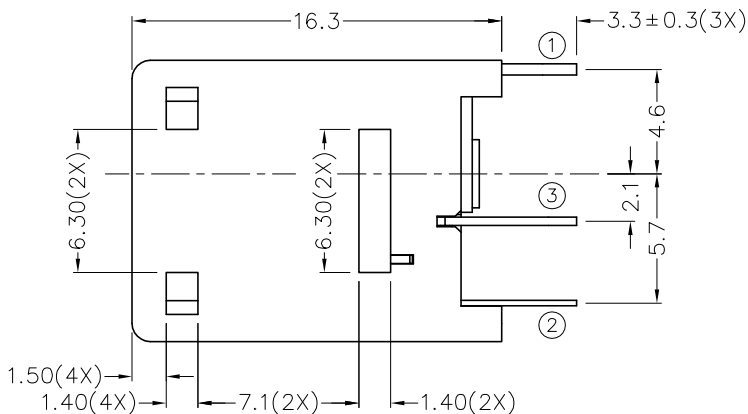
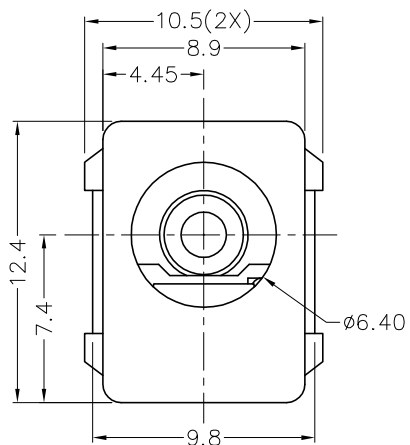
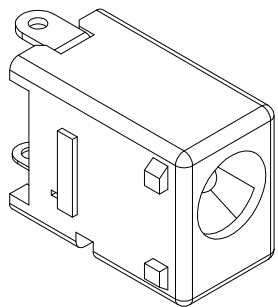
C

B

A

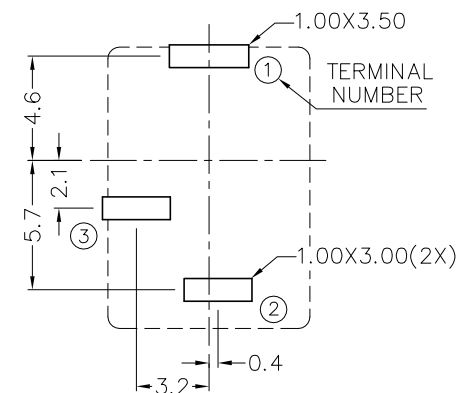
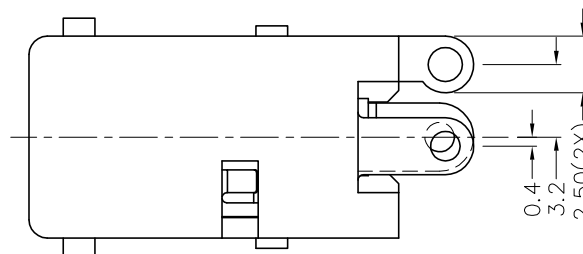
RoHS  
Compliant

ZONE	SYMBOL	REVISION	APPROVAL	DATE

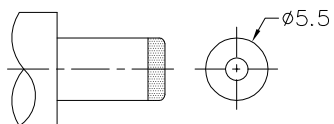


\* MATERIAL

CENTRE PIN : COPPER  
 TERMINAL 1 : BRASS  
 TERMINAL 2 : COPPER ALLOY  
 TERMINAL 3 : BRASS  
 HOUSING : PBT



PCB LAYOUT  
(BOTTOM VIEW)



DC MATE PLUG

MODEL NO.	TDC-077
SCHEMATIC	
CENTER PIN	ø2mm
	ø2.5mm



**CHAMPWAY** 冠泰電子有限公司  
 CHAMPWAY ELECTRONICS CO., LTD.

PART NAME	DC POWER SOCKET	TOLERANCE UNLESS	0.0±0.2	UNIT:		DESIGN	G.P.YI	DATE	25-8-2008	SCALE	3:1
PART NO.	TDC-077	OTHERWISE SPECIFIED:	0.00±0.1 0.000±0.05	mm		CHECK	G.P.YI	DATE	25-8-2008	MATERIAL	*
					APPROVAL		DATE		DWG. NO.	TZ\DC077-PBT/A	
							DATE		SHEET		

F

E

D

C

B

A