

F

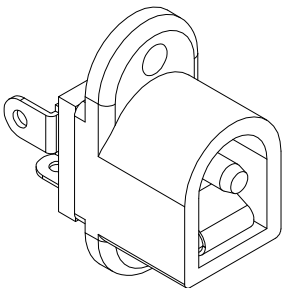
E

D

C

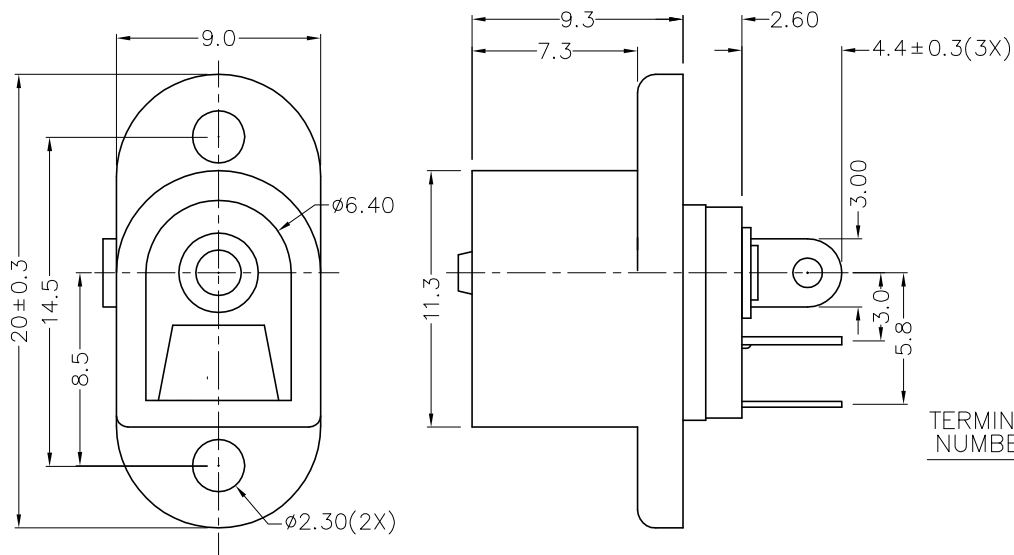
B

A

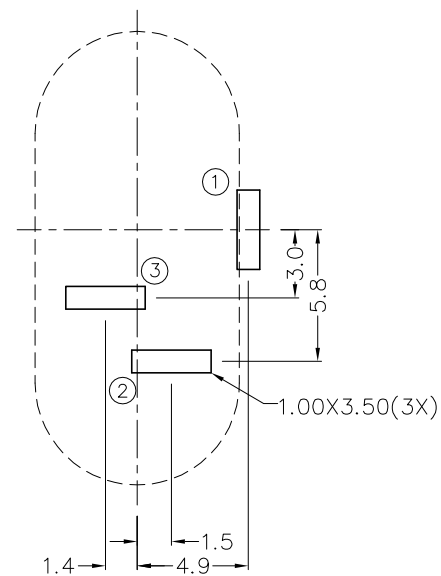
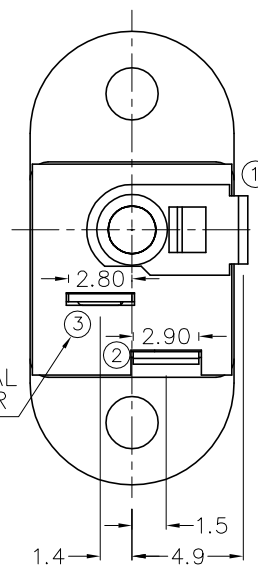


RoHS
Compliant

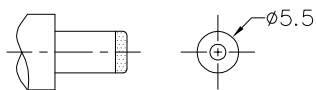
ZONE	SYMBOL	REVISION	APPROVAL	DATE
		ADD MATE PLUG	J.X.KUANG	2-5-2006



TERMINAL
NUMBER



PCB LAYOUT
(BOTTOM VIEW)



DC MATE PLUG

MODEL NO.	TDC-001
SCHEMATIC	
CENTER PIN	$\phi 2\text{mm}$
	$\phi 2.5\text{mm}$

* MATERIAL

CENTRE PIN : COPPER
 TERMINAL 1 : BRASS
 TERMINAL 2 : COPPER ALLOY
 TERMINAL 3 : BRASS
 HOUSING : PBT
 COVER : PBT

SPECIFICATIONS

- 1 Insulation resistance of adjacent open terminals shall not be less than 50 Megohms when measured with 500 Volts resistance meter.
- 2 Connector shall withstand 500 Volts (RMS) between adjacent open terminal for one minute.
- 3 Contact resistance of normally closed terminals shall not exceed 0.03 ohms when measured at a current of one Ampere by Voltage drop method.
- 4 Connector shall withstand 5,000 cycles of insertions and withdrawal with testing plug , contact resistance shall not exceed 0.1 ohm.



CHAMPWAY 冠泰電子有限公司
 CHAMPWAY ELECTRONICS CO., LTD.

PART NAME	DC POWER SOCKET	TOLERANCE UNLESS	0.0±0.2	UNIT:		DESIGN	T.Y.LI	DATE	7-10-2003	SCALE	3:1
PART NO.	TDC-001	OTHERWISE SPECIFIED:	0.00±0.1 0.000±0.05	mm		DRAWING	T.Y.LI	DATE	2-5-2006	MATERIAL	*
					CHECK		DATE		DWG. NO.	TZ\DC001-PBT/B	
					APPROVAL		DATE		SHEET		

F

E

D

C

B

A

DCF-04/A