

F

E

D

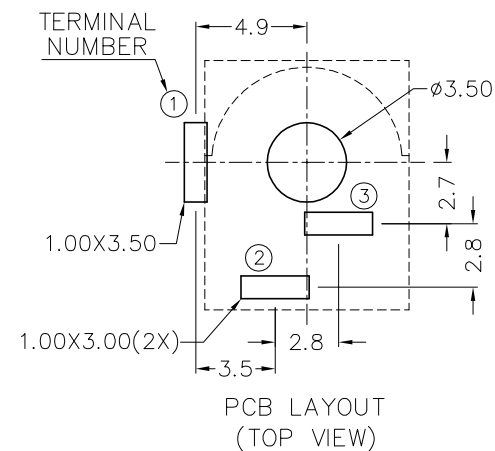
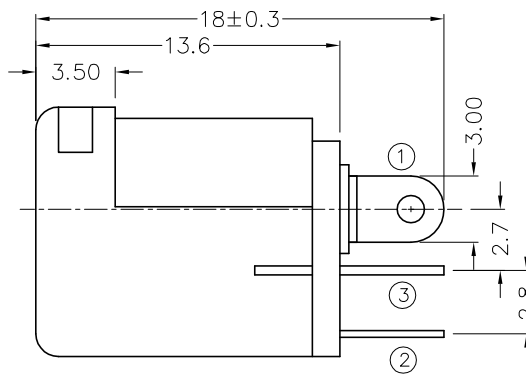
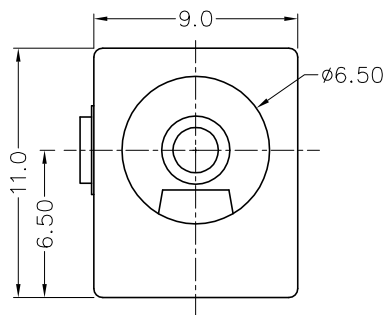
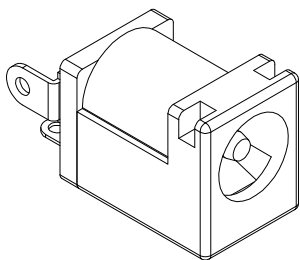
C

B

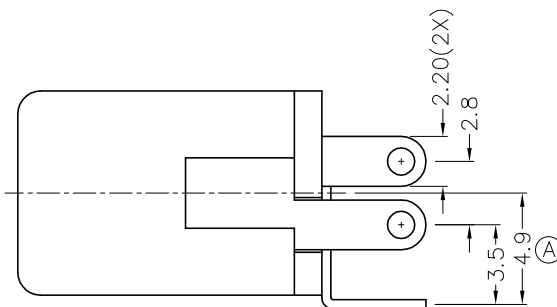
A

ZONE	SYMBOL	REVISION	APPROVAL	DATE
C3	(A)	5.0 MODIFIED TO 4.9	J.X.KUANG	13-11-2009

RoHS
Compliant

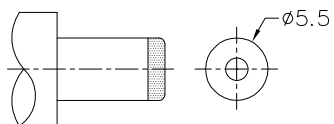


MODEL NO.	TDC-010
SCHEMATIC	
CENTER PIN	φ2mm
	φ2.5mm



* MATERIAL

CENTRE PIN : COPPER
 TERMINAL 1 : BRASS
 TERMINAL 2 : COPPER ALLOY
 TERMINAL 3 : BRASS
 HOUSING : PBT
 COVER : PBT



DC MATE PLUG

CHAMPWAY 冠泰電子有限公司
 CHAMPWAY ELECTRONICS CO., LTD.

PART NAME	DC POWER SOCKET	TOLERANCE UNLESS	0.0±0.2	UNIT:		DESIGN	J.X.KUANG	DATE	9-10-2003	SCALE	3:1
PART NO.	TDC-010	OTHERWISE SPECIFIED:	0.00±0.1 0.000±0.05	mm		DRAWING	T.Y.LI	DATE	13-11-2009	MATERIAL	*
						CHECK		DATE		DWG. NO.	TZ\DC010-PBT/C
						APPROVAL		DATE		SHEET	

F

E

D

C

B

A