

F

E

D

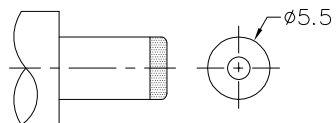
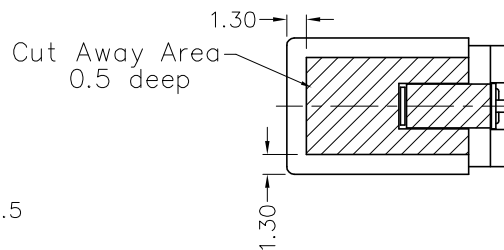
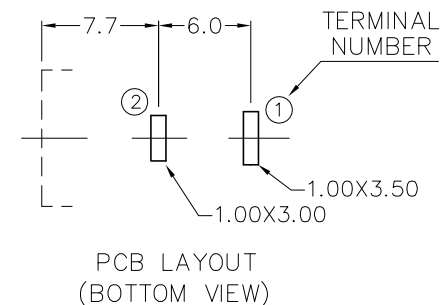
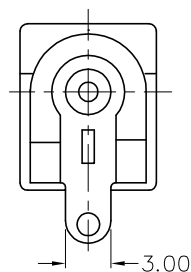
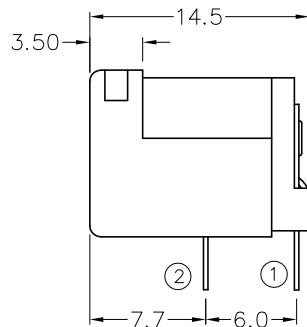
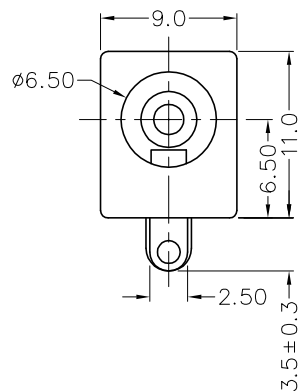
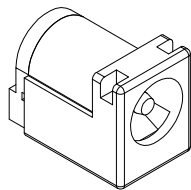
C

B

A

RoHS
Compliant

ZONE	SYMBOL	REVISION	APPROVAL	DATE
		ADD MATE PLUG	J.X.KUANG	25-9-2006



DC MATE PLUG

MODEL NO.	TDC-017
SCHEMATIC	
CENTER PIN	ø2mm ø2.5mm

* MATERIAL

TERMINAL 1 : BRASS
 TERMINAL 2 : COPPER ALLOY
 CENTER PIN : COPPER
 HOUSING : PBT
 COVER : PBT



CHAMPWAY 冠泰電子有限公司
CHAMPWAY ELECTRONICS CO., LTD.

DESIGN	J.M.KWAN	DATE	9-10-2003	SCALE	2:1
DRAWING	L.L.ZHANG	DATE	25-9-2006	MATERIAL	*
CHECK		DATE		DWG. NO.	TZ\DC017-PBT/B
APPROVAL		DATE		SHEET	

PART NAME	DC POWER SOCKET	TOLERANCE UNLESS	0.0±0.2	UNIT:
PART NO.	TDC-017	OTHERWISE SPECIFIED:	0.00±0.1 0.000±0.05	

F

E

D

C

B

A DCF-04/A