

F

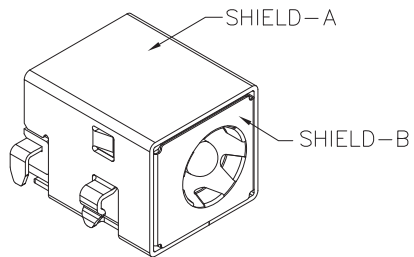
E

D

C

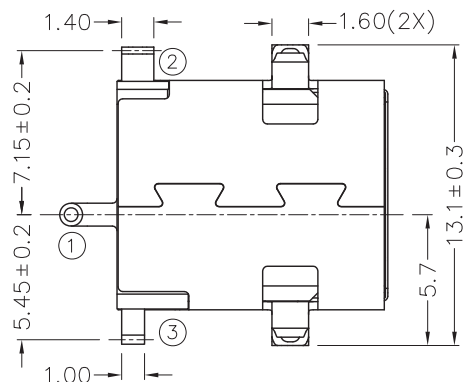
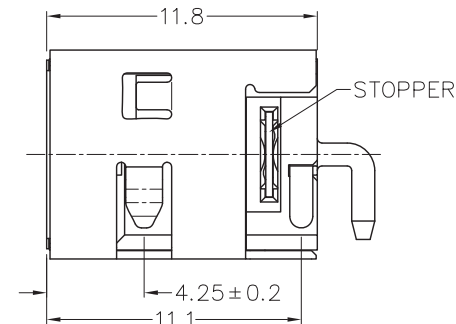
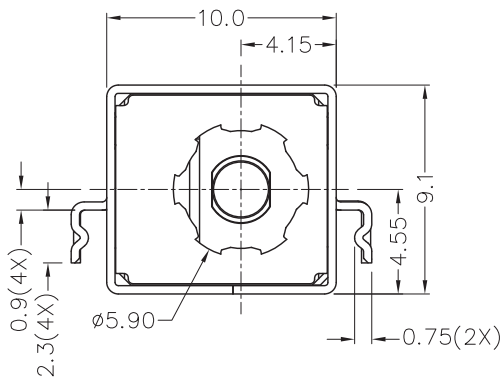
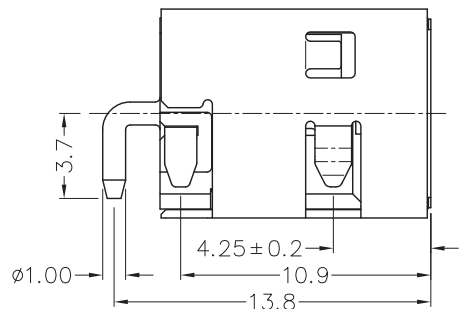
B

A



**RoHS**  
Compliant

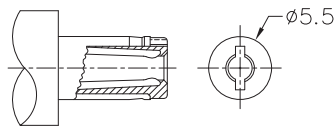
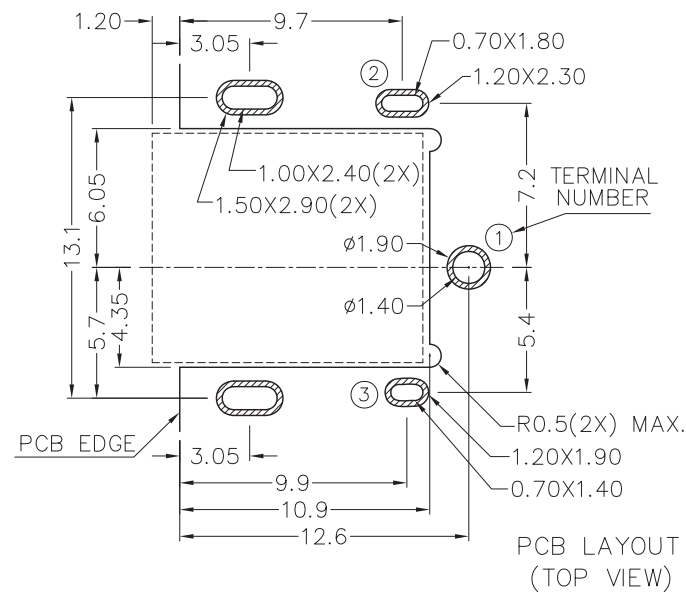
ZONE	SYMBOL	REVISION	APPROVAL	DATE
D4		ADD CENTER PIN ITEM	J.X.KUANG	29-8-2011



**\* MATERIAL**

- TERMINAL 1 : BRASS
- TERMINAL 2 : COPPER ALLOY
- TERMINAL 3 : BRASS
- SHIELD-A : BRASS
- SHIELD-B : STAINLESS STEEL
- STOPPER : C.R.STEEL
- HOUSING : PA6T

MODEL NO.	TDC-084DHS
SCHEMATIC	1
	2
CENTER PIN	∅2mm
	∅2.5mm



DC MATE PLUG

**CHAMPWAY** 冠泰電子有限公司  
CHAMPWAY ELECTRONICS CO., LTD.

DESIGN	X.N.ZHENG	DATE	14-9-2009	SCALE	3:1
DRAWING	CH.XIONG	DATE	29-8-2011	MATERIAL	*
CHECK		DATE		DWG. NO.	TZ\DC084DHS-PA6T/B
APPROVAL		DATE		SHEET	

PART NAME	HIGH CURRENT SMD DC POWER SOCKET	TOLERANCE UNLESS	0.0±0.2	UNIT:
PART NO.	TDC-084DHS	OTHERWISE SPECIFIED:	0.00±0.1 0.000±0.05	

F

E

D

C

B

A