

F

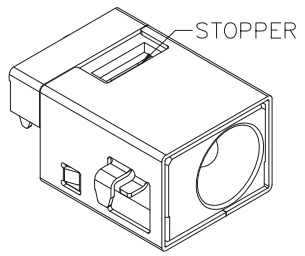
E

D

C

B

A

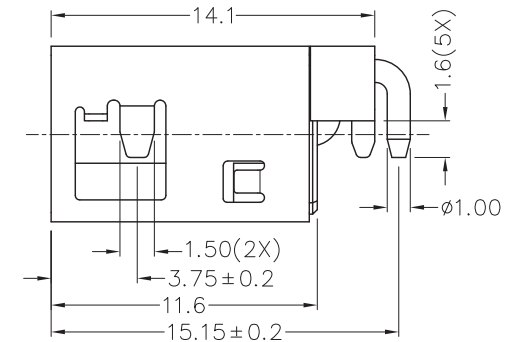
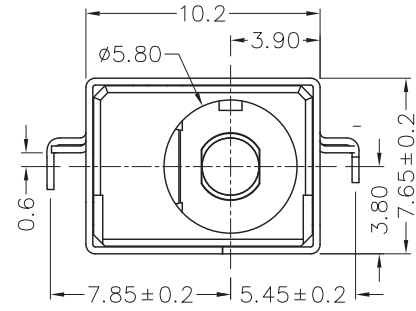
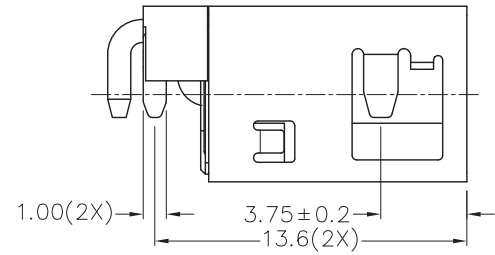


RoHS
Compliant

ZONE	SYMBOL	REVISION	APPROVAL	DATE

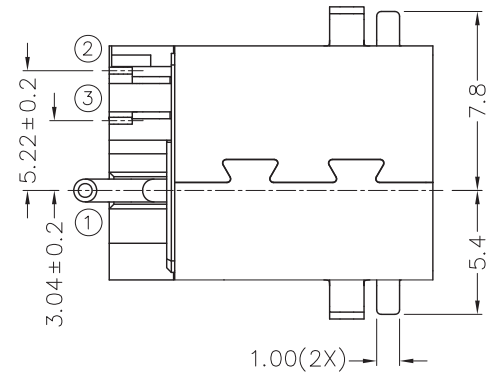
1

1



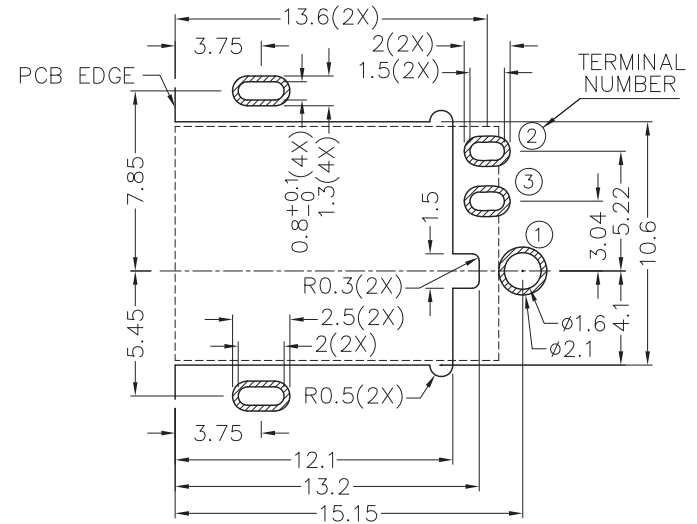
2

2



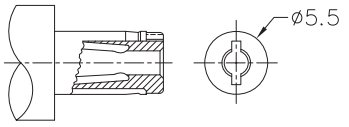
* MATERIAL

- TERMINAL 1 : BRASS
- TERMINAL 2 : COPPER ALLOY
- TERMINAL 3 : BRASS
- SHIELD-A : BRASS
- SHIELD-B : STAINLESS STEEL
- STOPPER : C.R.STEEL
- HOUSING : PA6T



3

3



DC MATE PLUG

MODEL NO.	TDC-107DHS
SCHEMATIC	1 3 2
CENTER PIN	ø2.5mm

RECOMMENDED PCB LAYOUT
TOLERANCE: ±0.05
(TOP VIEW)

4

4



DESIGN	CH.XIONG	DATE	15-10-2012	SCALE	3:1
DRAWING	CH.XIONG	DATE	25-1-2013	MATERIAL	*
CHECK		DATE		DWG. NO.	TZ\PC107DHS-PA6T/A
APPROVAL		DATE		SHEET	

PART NAME	HIGH CURRENT SMD DC POWER SOCKET	TOLERANCE UNLESS	0.0±0.2	UNIT:
PART NO.	TDC-107DHS	OTHERWISE SPECIFIED:	0.00±0.1 0.000±0.05	

F

E

D

C

B

A