

F

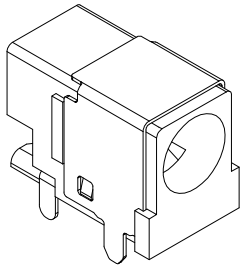
E

D

C

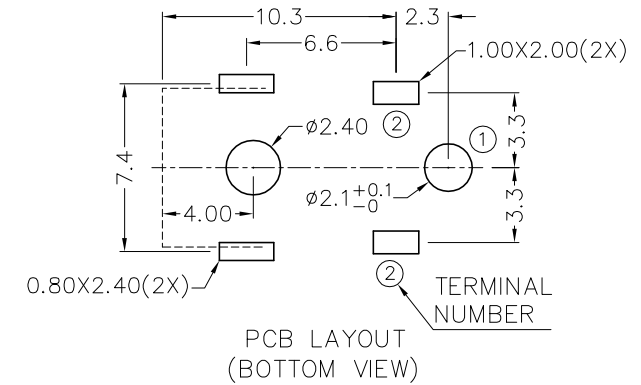
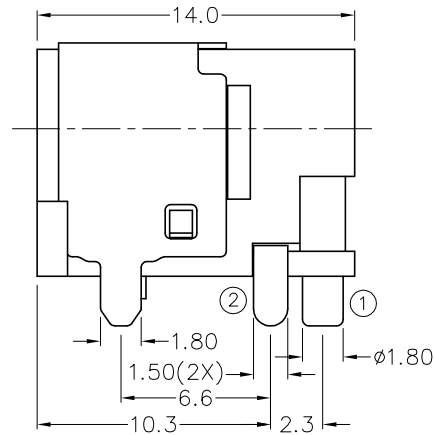
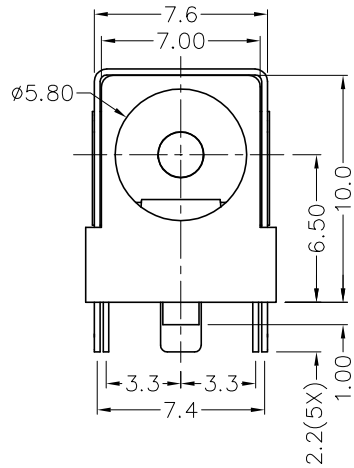
B

A



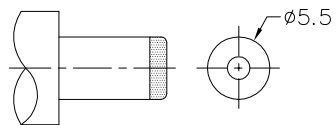
RoHS
Compliant

ZONE	SYMBOL	REVISION	APPROVAL	DATE
		ADD MATE PLUG	J.X.KUANG	12-7-2006

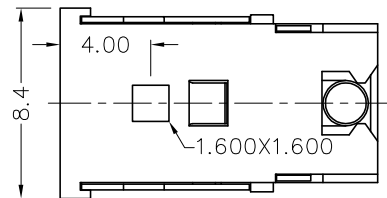


* MATERIAL

TERMINAL 1 : BRASS
TERMINAL 2 : COPPER ALLOY
SHIELD : BRASS
HOUSING : PBT



DC MATE PLUG



MODEL NO.	TDC-044S2-1
SCHEMATIC	
CENTER PIN	ø2mm
	ø2.5mm



CHAMPWAY 冠泰電子有限公司
CHAMPWAY ELECTRONICS CO., LTD.

DESIGN	T.Y.LI	DATE	11-10-2003	SCALE	3:1
DRAWING	T.Y.LI	DATE	12-7-2006	MATERIAL	*
CHECK		DATE		DWG. NO.	TZ\DC044S2-1-PBT/B
APPROVAL		DATE		SHEET	

PART NAME	DC POWER SOCKET	TOLERANCE UNLESS	0.0±0.2	UNIT:
PART NO.	TDC-044S2-1	OTHERWISE SPECIFIED:	0.00±0.1 0.000±0.05	

F

E

D

C

B

A

DCF-04/A