

F

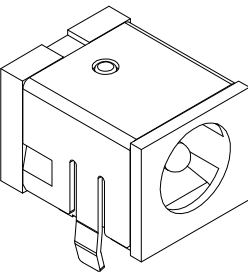
E

D

C

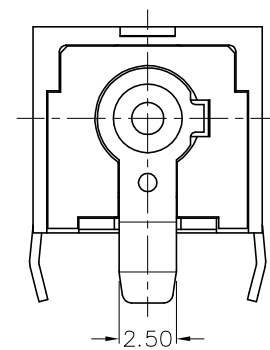
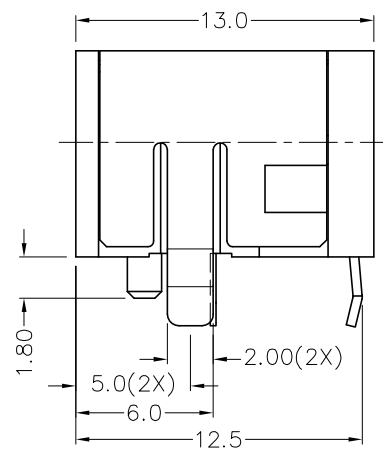
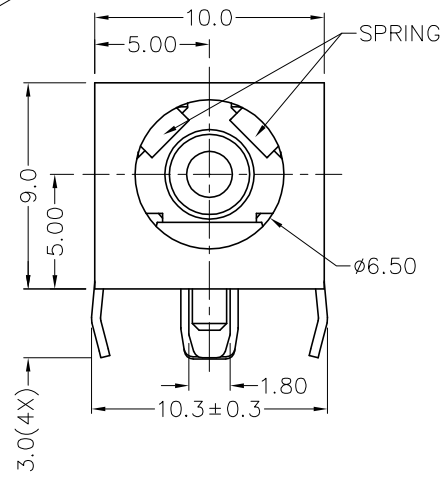
B

A



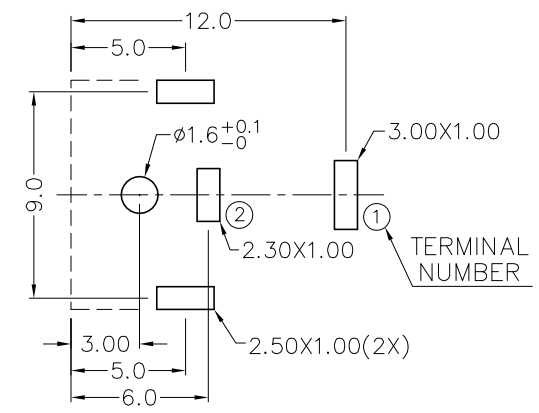
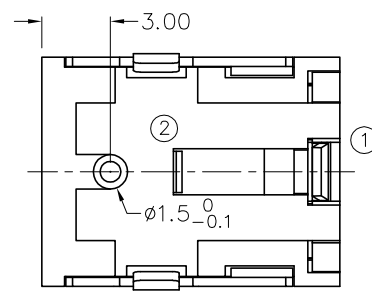
RoHS  
Compliant

ZONE	SYMBOL	REVISION	APPROVAL	DATE

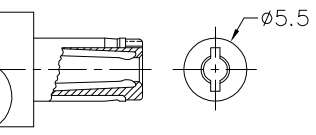


\* MATERIAL

- CENTRE PIN : COPPER
- TERMINAL 1 : BRASS
- TERMINAL 2 : COPPER ALLOY
- SPRING : COPPER ALLOY
- SHIELD : BRASS
- HOUSING : PBT
- COVER : PBT



PCB LAYOUT  
(BOTTOM VIEW)



DC MATE PLUG

MODEL NO.	TDC-078HS
SCHEMATIC	
CENTER PIN	ø2mm
	ø2.5mm

**CHAMPWAY** 冠泰電子有限公司  
CHAMPWAY ELECTRONICS CO., LTD.

DESIGN	T.Y.LI	DATE	20-8-2008	SCALE	3:1
DRAWING	T.Y.LI	DATE	20-8-2008	MATERIAL	*
CHECK		DATE		DWG. NO.	TZ\DC078HS-PBT/A
APPROVAL		DATE		SHEET	

PART NAME	HIGH CURRENT DC POWER SOCKET	TOLERANCE UNLESS	0.0±0.2	UNIT:	
PART NO.	TDC-078HS	OTHERWISE SPECIFIED:	0.00±0.1 0.000±0.05		

F

E

D

C

B

A