

F

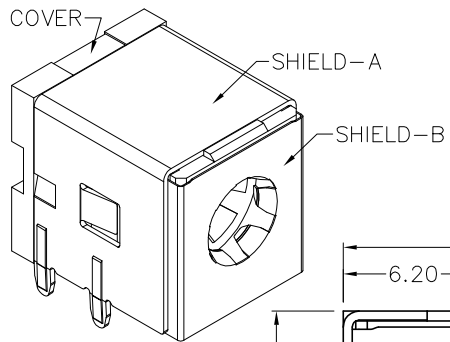
E

D

C

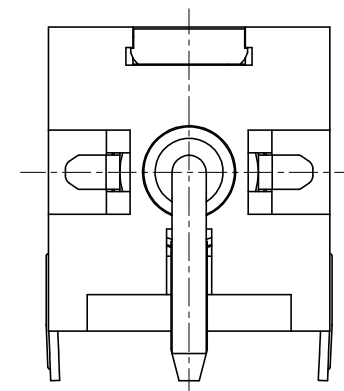
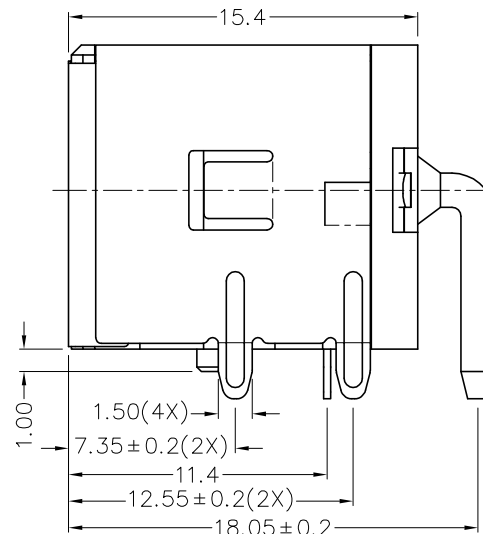
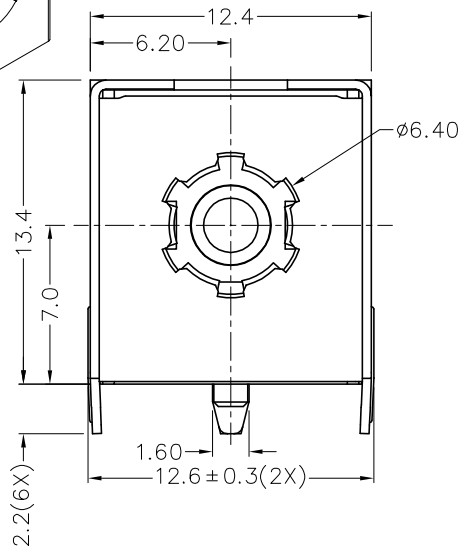
B

A



RoHS
Compliant

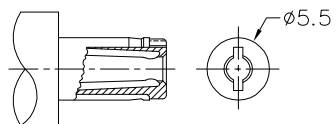
ZONE	SYMBOL	REVISION	APPROVAL	DATE



*MATERIAL

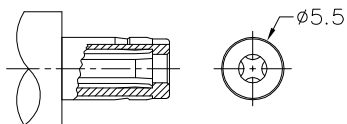
TERMINAL 1 : BRASS
 TERMINAL 2 : COPPER ALLOY
 STOPPER : C.R.STEEL
 SHIELD-A : C.R.STEEL
 SHIELD-B : STAINLESS STEEL
 HOUSING : PA6T
 COVER : PA6T

MODEL NO.	TDC-079HS
SCHEMATIC	1 2
CENTER PIN	ø2.5mm



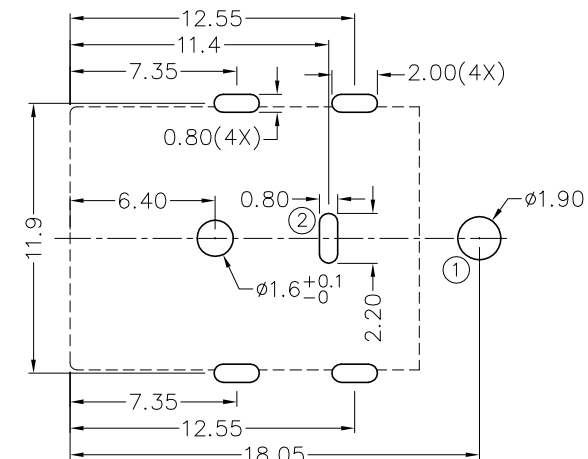
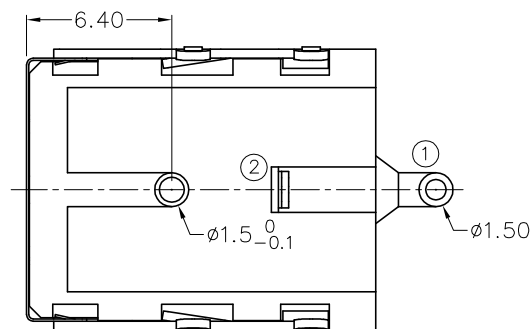
DC MATE PLUG

RATING: DC 20V 7A



DC MATE PLUG

RATING: DC 20V 10A



PCB LAYOUT
(TOP VIEW)



CHAMPWAY 冠泰電子有限公司
 CHAMPWAY ELECTRONICS CO., LTD.

DESIGN	T.Y.LI	DATE	15-5-2009	SCALE	3:1
DRAWING	T.Y.LI	DATE	15-5-2009	MATERIAL	*
CHECK		DATE		DWG. NO.	TZ\DC079HS-PA6T/A
APPROVAL		DATE		SHEET	

PART NAME	HIGH CURRENT DC POWER SOCKET	TOLERANCE UNLESS	0.0±0.2	UNIT:	
PART NO.	TDC-079HS	OTHERWISE SPECIFIED:	0.00±0.1 0.000±0.05	mm	

F

E

D

C

B

A