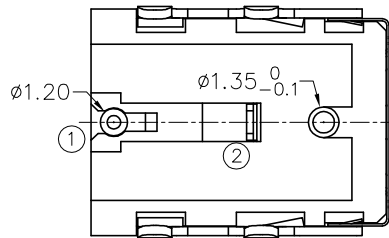
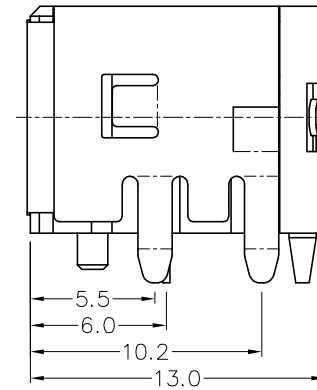
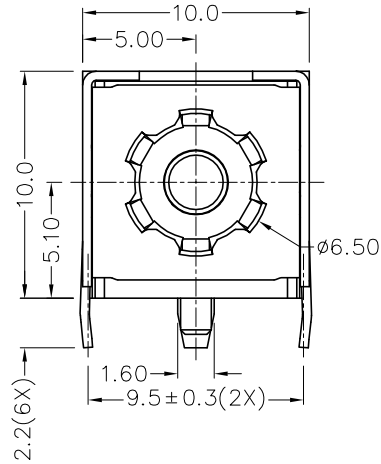
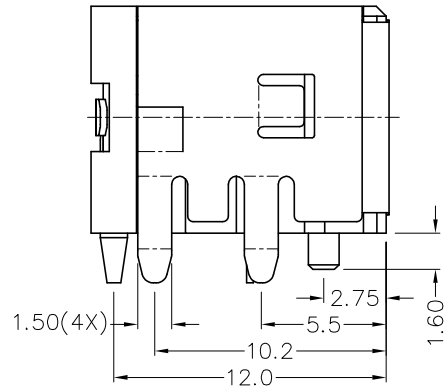
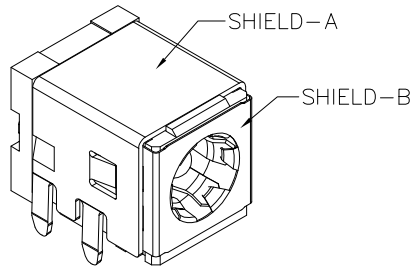


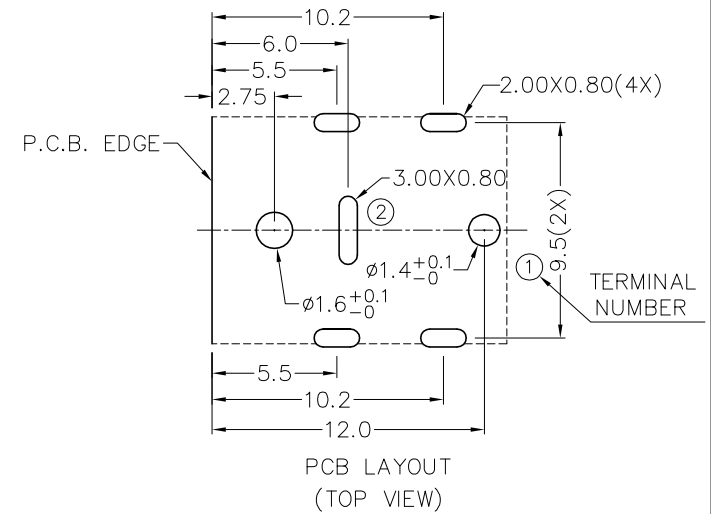
ZONE	SYMBOL	REVISION	APPROVAL	DATE

RoHS  
Compliant

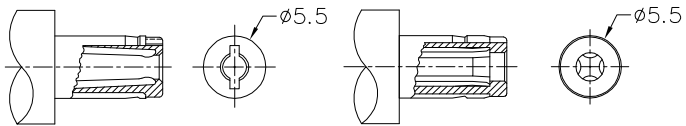


\* MATERIAL

- TERMINAL 1 : BRASS
- TERMINAL 2 : COPPER ALLOY
- STOPPER : C.R.STEEL
- SHIELD-A : C.R.STEEL
- SHIELD-B : STAINLESS STEEL
- HOUSING : PA6T
- COVER : PA6T



MODEL NO.	TDC-081HS
SCHEMATIC	
CENTER PIN	Ø2.5mm



DC MATE PLUG

RATING: DC 20V 7A

DC MATE PLUG

RATING: DC 20V 10A

**CHAMPWAY** 冠泰電子有限公司  
CHAMPWAY ELECTRONICS CO., LTD.

DESIGN	T.Y.LI	DATE	17-3-2009	SCALE	3:1
DRAWING	T.Y.LI	DATE	4-6-2009	MATERIAL	*
CHECK		DATE		DWG. NO.	TZ\DC081HS-PA6T/A
APPROVAL		DATE		SHEET	

PART NAME	HIGH CURRENT DC POWER SOCKET	TOLERANCE UNLESS	0.0±0.2	UNIT:
PART NO.	TDC-081HS	OTHERWISE SPECIFIED:	0.00±0.1 0.000±0.05	

F

E

D

C

B

A