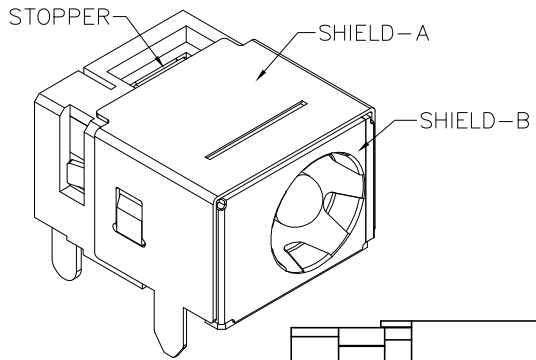
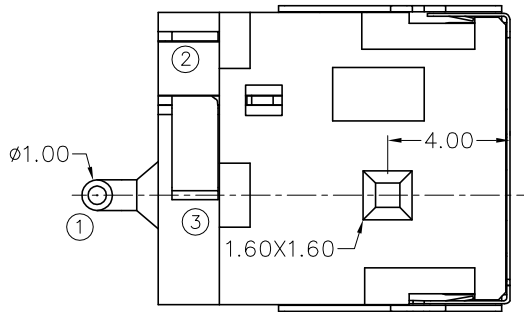
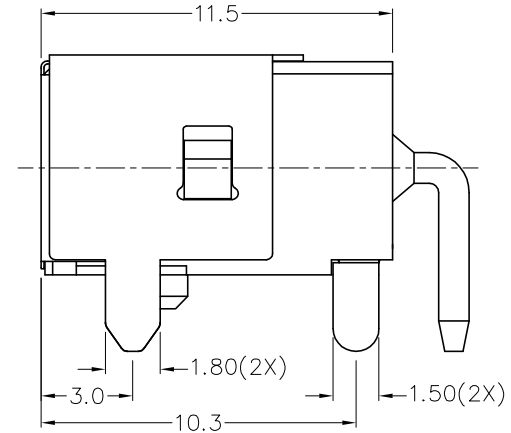
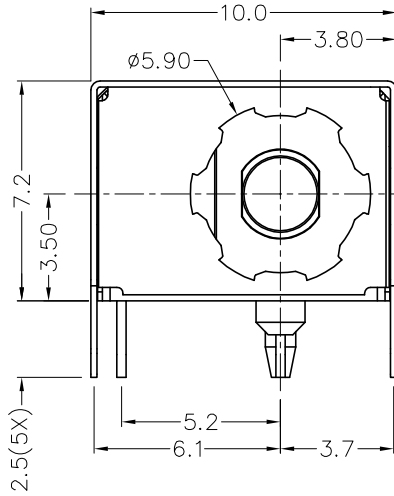
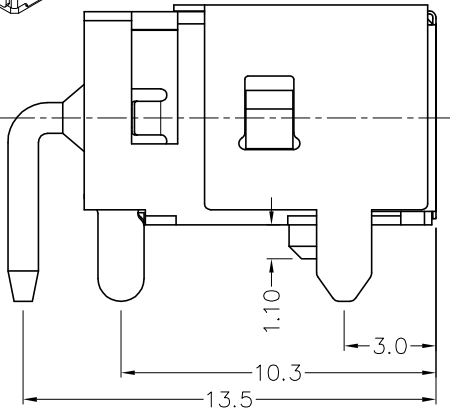


F E D C B A



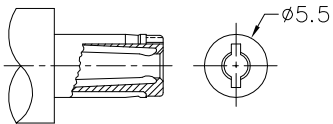
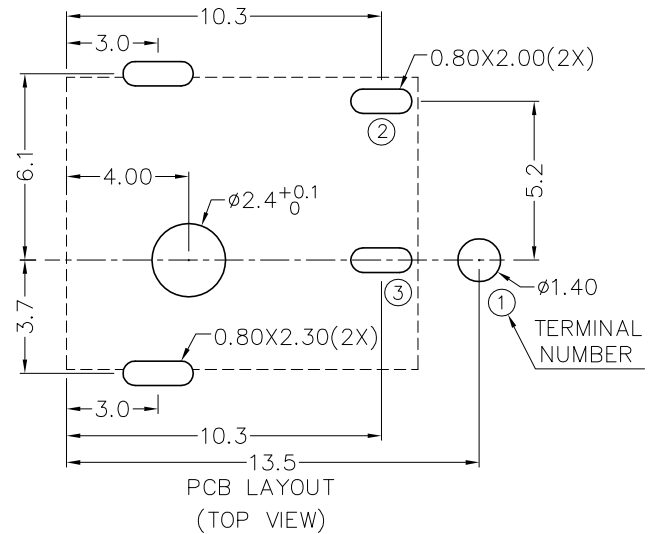
RoHS
Compliant

ZONE	SYMBOL	REVISION	APPROVAL	DATE



*MATERIAL

- TERMINAL 1 : BRASS
- TERMINAL 2 : COPPER ALLOY
- TERMINAL 3 : BRASS
- STOPPER : C.R.STEEL
- SHIELD-A : BRASS
- SHIELD-B : STAINLESS STEEL
- HOUSING : PA6T



DC MATE PLUG

MODEL NO.	TDC-083HS
SCHEMATIC	
CENTER PIN	ø2.5mm

CHAMPWAY 冠泰電子有限公司
CHAMPWAY ELECTRONICS CO., LTD.

DESIGN	T.Y.LI	DATE	31-8-2009	SCALE	4:1
DRAWING	T.Y.LI	DATE	31-8-2009	MATERIAL	*
CHECK		DATE		DWG. NO.	TZ\DC083HS-PA6T/A
APPROVAL		DATE		SHEET	

PART NAME	HIGH CURRENT DC POWER SOCKET	TOLERANCE UNLESS	0.0±0.2	UNIT:
PART NO.	TDC-083HS	OTHERWISE SPECIFIED:	0.00±0.1 0.000±0.05	

F E D C B A