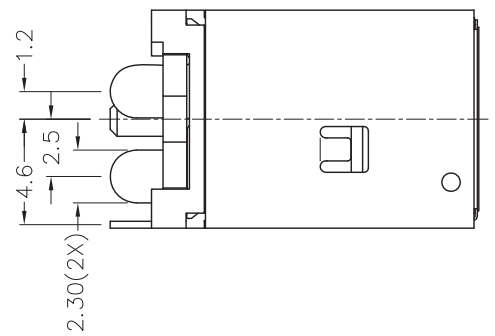
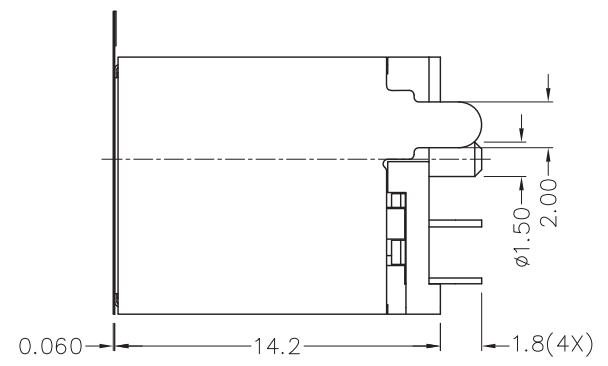
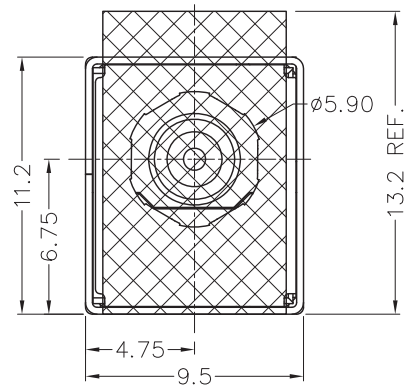
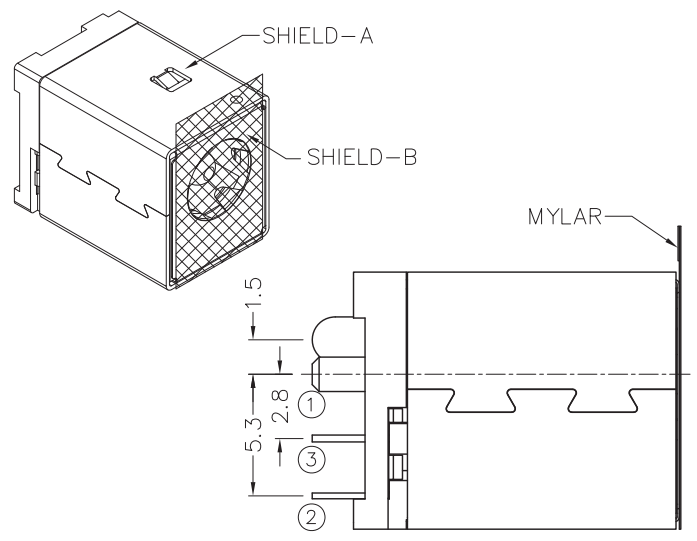


F E D C B A

ZONE	SYMBOL	REVISION	APPROVAL	DATE

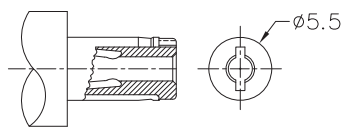
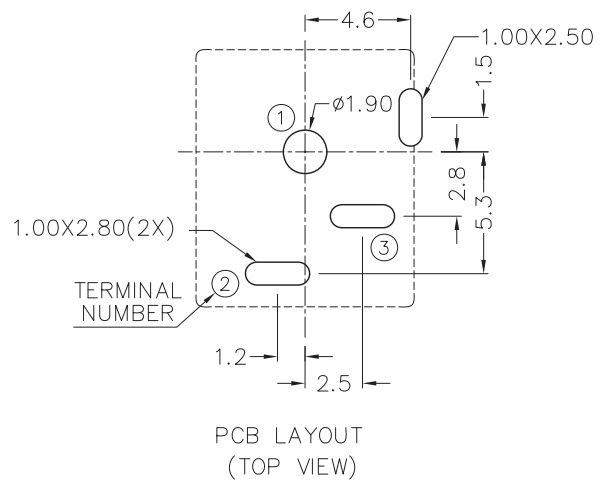
RoHS  
Compliant



\* MATERIAL

- TERMINAL 1 : COPPER
- TERMINAL 2 : COPPER ALLOY
- TERMINAL 3 : BRASS
- SHIELD-A : BRASS
- SHIELD-B : STAINLESS STEEL
- COVER : PA6T
- HOUSING : PA6T
- MYLAR : POLYIMIDE

MODEL NO.	TDC-101HST1
SCHEMATIC	
CENTER PIN	∅2.5mm



DC MATE PLUG

1  
2  
3  
4

1  
2  
3  
4

**CHAMPWAY** 冠泰電子有限公司  
CHAMPWAY ELECTRONICS CO., LTD.

DESIGN	CH.XIONG	DATE	13-4-2012	SCALE	3:1
DRAWING	CH.XIONG	DATE	30-4-2012	MATERIAL	*
CHECK		DATE		DWG. NO.	TZ\DC101HST1-PA6T/A
APPROVAL		DATE		SHEET	

PART NAME	HIGH CURRENT DC POWER SOCKET	TOLERANCE UNLESS	0.0±0.2	UNIT:
PART NO.	TDC-101HST1	OTHERWISE SPECIFIED:	0.00±0.1 0.000±0.05	

F E D C B A