

F

E

D

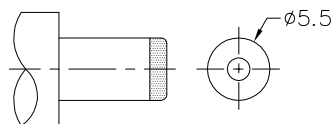
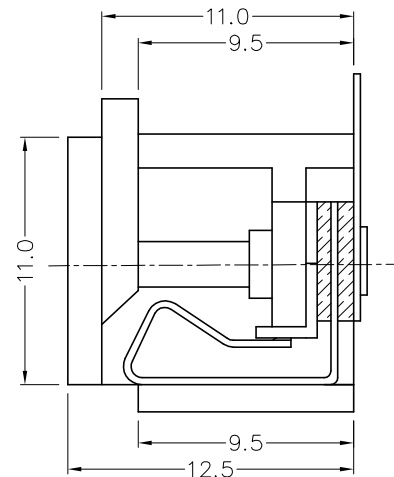
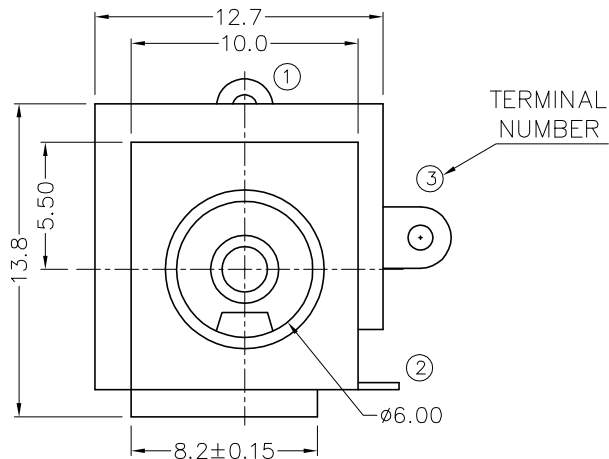
C

B

A

RoHS
Compliant

ZONE	SYMBOL	REVISION	APPROVAL	DATE
		ADD MATE PLUG	J.X.KUANG	20-9-2006



DC MATE PLUG

MODEL NO.	TDC-004
SCHMATIC	
CENTER PIN	Ø2mm
	Ø2.35mm
	Ø2.5mm

* MATERIAL

CENTRE PIN : COPPER
 TERMINAL 1 : BRASS
 TERMINAL 2 : COPPER ALLOY
 TERMINAL 3 : BRASS
 INSULATOR : PBT
 HOUSING : PBT



CHAMPWAY 冠泰電子有限公司
 CHAMPWAY ELECTRONICS CO., LTD.

DESIGN	K.Y.AU-YEUNG	DATE	8-10-2003	SCALE	3:1
DRAWING	L.L.ZHANG	DATE	20-9-2006	MATERIAL	*
PART NAME	DC POWER SOCKET	TOLERANCE UNLESS	0.0±0.2	CHECK	
PART NO.	TDC-004	OTHERWISE SPECIFIED:	0.00±0.1 0.000±0.05	DATE	
		UNIT:	mm	APPROVAL	
				DATE	
				DATE	
				DWG. NO.	TZ\DC004-PBT/B
				SHEET	

F

E

D

C

B

A

DCF-04/A