

F

E

D

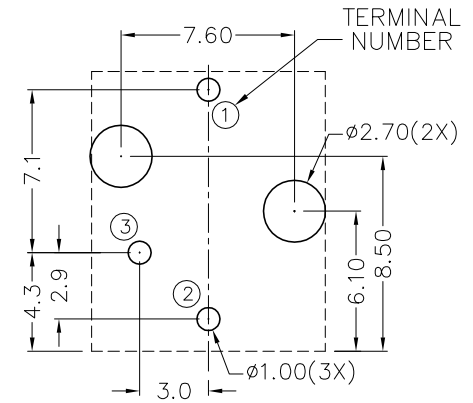
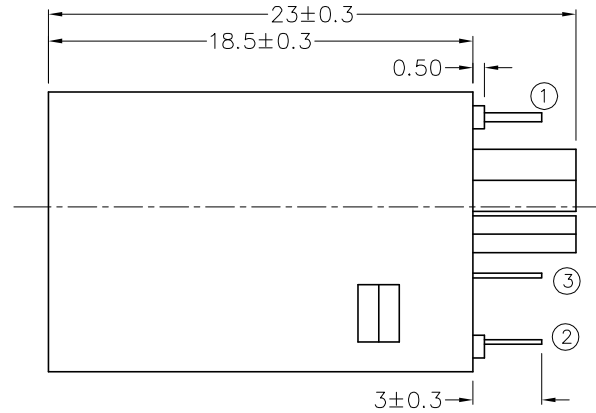
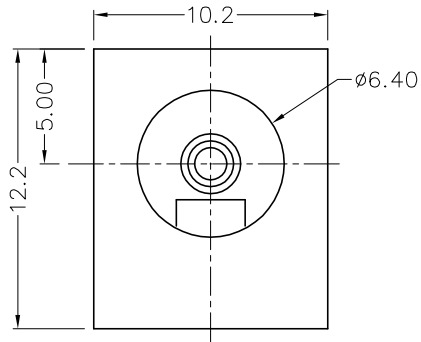
C

B

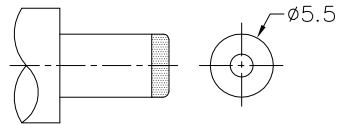
A

RoHS  
Compliant

ZONE	SYMBOL	REVISION	APPROVAL	DATE
		CHANGED LAYOUT	J.X.KUANG	20-9-2007



PCB LAYOUT  
(BOTTOM VIEW)



DC MATE PLUG

MODEL NO.	TDC-013
SCHEMATIC	
CENTER PIN	∅2mm
	∅2.5mm

\* MATERIAL

CENTRE PIN : COPPER  
 TERMINAL 1 : BRASS  
 TERMINAL 2 : COPPER ALLOY  
 TERMINAL 3 : BRASS  
 HOUSING : PBT  
 COVER : PBT

**CHAMPWAY** 冠泰電子有限公司  
 CHAMPWAY ELECTRONICS CO., LTD.

PART NAME	DC POWER SOCKET	TOLERANCE UNLESS	0.0±0.2	UNIT:	mm	DESIGN	J.M.KWAN	DATE	9-10-2003	SCALE	3:1
PART NO.	TDC-013	OTHERWISE SPECIFIED:	0.00±0.1 0.000±0.05			DRAWING	T.Y.LI	DATE	20-9-2007	MATERIAL	*
						CHECK		DATE		DWG. NO.	TZ\DC013-PBT/C
						APPROVAL		DATE		SHEET	

F

E

D

C

B

A