

F

E

D

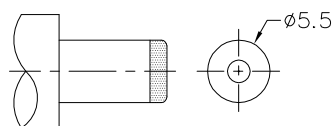
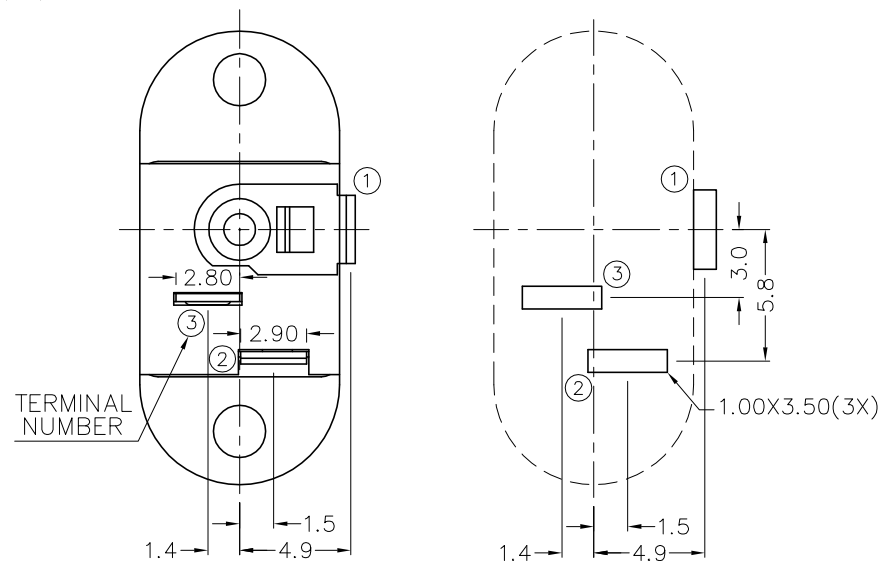
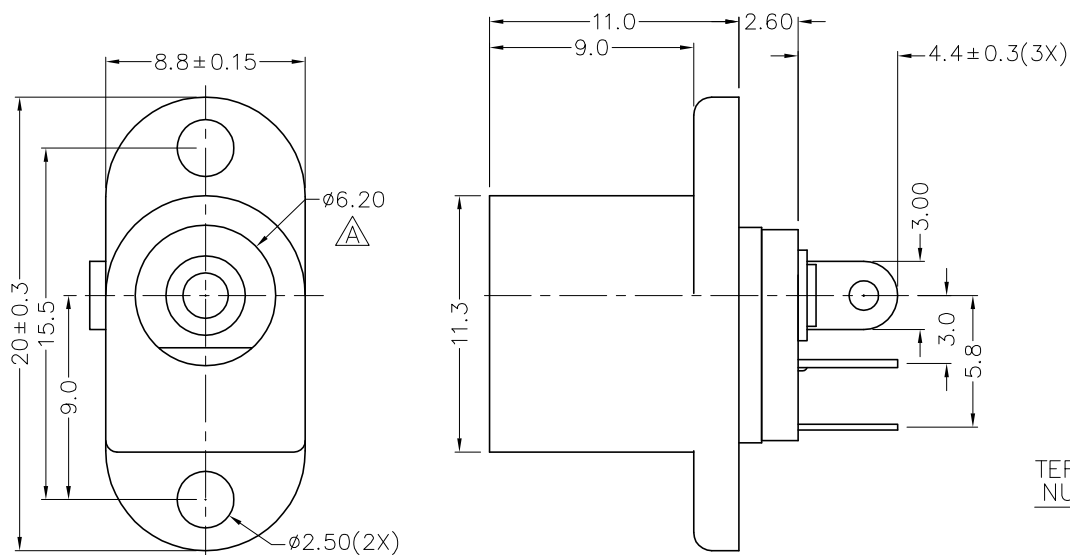
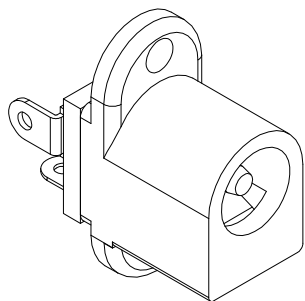
C

B

A

ZONE	SYMBOL	REVISION	APPROVAL	DATE
E2		ø6.40 MODIFIED TO ø6.20	J.X.KUANG	14-5-2007

RoHS  
Compliant



DC MATE PLUG

MODEL NO.	TDC-019
SCHEMATIC	1 3 2
CENTER PIN	$\phi 2\text{mm}$
	$\phi 2.5\text{mm}$

\* MATERIAL

CENTRE PIN : COPPER  
 TERMINAL 1 : BRASS  
 TERMINAL 2 : COPPER ALLOY  
 TERMINAL 3 : BRASS  
 HOUSING : PBT  
 COVER : PBT



**CHAMPWAY** 冠泰電子有限公司  
 CHAMPWAY ELECTRONICS CO., LTD.

DESIGN	J.X.KUANG	DATE	9-10-2003	SCALE	3:1
DRAWING	L.L.ZHANG	DATE	14-5-2007	MATERIAL	*
PART NAME	DC POWER SOCKET	TOLERANCE UNLESS	$0.0 \pm 0.2$	CHECK	
PART NO.	TDC-019	OTHERWISE SPECIFIED:	$0.00 \pm 0.1$ $0.000 \pm 0.05$	DATE	
		UNIT:	mm	DWG. NO.	TZ\DC019-PBT/C
				DATE	
				SHEET	

F

E

D

C

B

A