

F

E

D

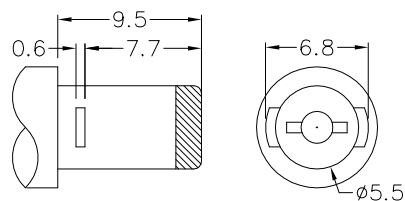
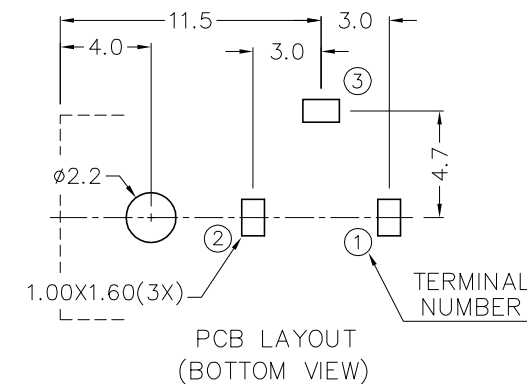
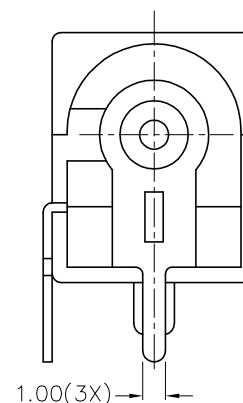
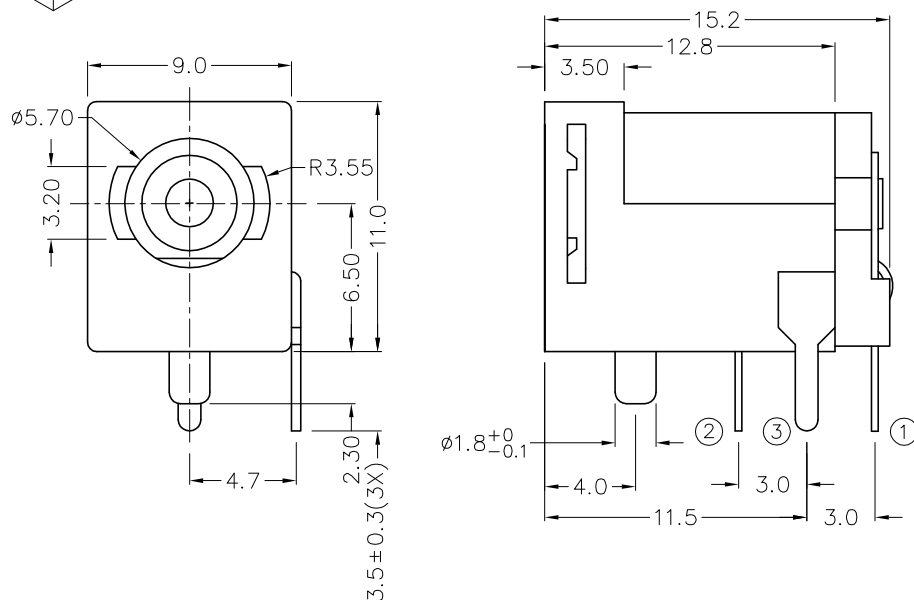
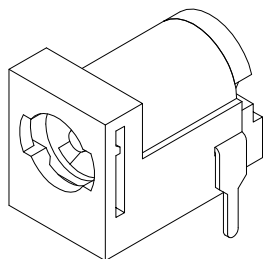
C

B

A

RoHS  
Compliant

ZONE	SYMBOL	REVISION	APPROVAL	DATE



DC SPECIAL MATE PLUG

MODEL NO.	TDC-062-3
SCHEMATIC	
CENTER PIN	ø2mm
	ø2.5mm

## \* MATERIAL

CENTRE PIN : COPPER  
 TERMINAL 1 : BRASS  
 TERMINAL 2 : COPPER ALLOY  
 TERMINAL 3 : BRASS  
 HOUSING : PBT  
 COVER : PBT

## SPECIFICATIONS

- 1 Insulation resistance of adjacent open terminals shall not be less than 50 Megohms when measured with 500 Volts resistance meter.
- 2 Connector shall withstand 500 Volts (RMS) between adjacent open terminal for one minute.
- 3 Contact resistance of normally closed terminals shall not exceed 0.03 ohms when measured at a current of one Ampere by Voltage drop method.
- 4 Connector shall withstand 5,000 cycles of insertions and withdrawal with testing plug , contact resistance shall not exceed 0.1 ohm.



**CHAMPWAY** 冠泰電子有限公司  
 CHAMPWAY ELECTRONICS CO., LTD.

DESIGN	L.L.ZHANG	DATE	23-4-2005	SCALE	3:1
DRAWING	T.Y.LI	DATE	29-3-2006	MATERIAL	*
PART NAME	DC POWER SOCKET	TOLERANCE UNLESS	0.0±0.2	CHECK	DATE
PART NO.	TDC-062-3	OTHERWISE SPECIFIED:	0.00±0.1 0.000±0.05	APPROVAL	DATE
		UNIT:	mm	DWG. NO.	TZ\DC062-3-PBT/A
				SHEET	

F

E

D

C

B

A

DCF-04/A