

F

E

D

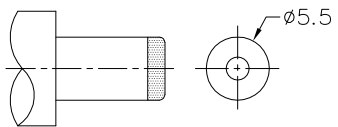
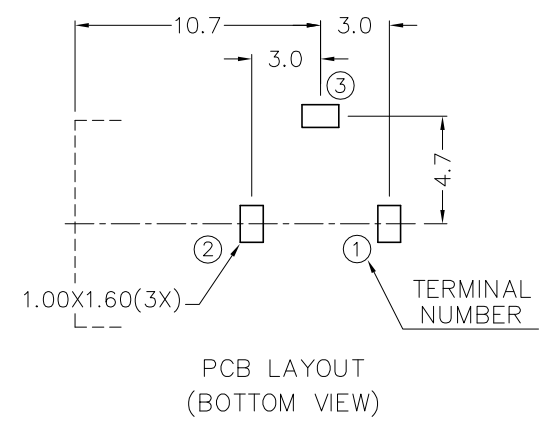
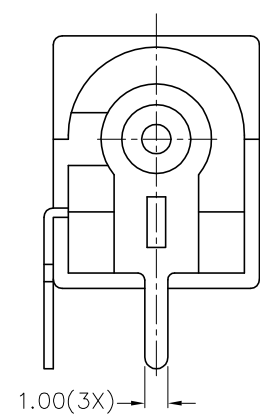
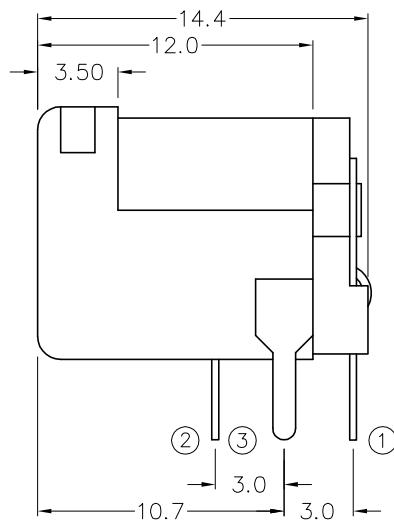
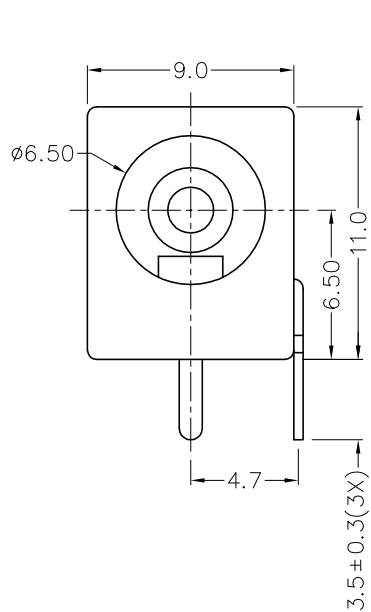
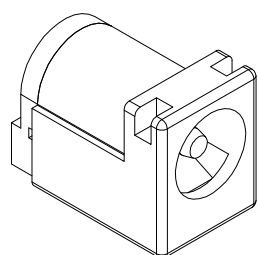
C

B

A

ZONE	SYMBOL	REVISION	APPROVAL	DATE
		ADD MATE PLUG	J.X.KUANG	19-9-2006

RoHS  
Compliant



DC MATE PLUG

MODEL NO.	TDC-002-3
SCHEMATIC	
CENTER PIN	ø1.65mm
	ø2mm
	ø2.5mm

\* MATERIAL  
 CENTRE PIN : COPPER  
 TERMINAL 1 : BRASS  
 TERMINAL 2 : COPPER ALLOY  
 TERMINAL 3 : BRASS  
 HOUSING : PBT  
 COVER : PBT

**CHAMPWAY** 冠泰电子有限公司  
 CHAMPWAY ELECTRONICS CO., LTD.

PART NAME	DC POWER SOCKET	TOLERANCE UNLESS	0.0±0.2	UNIT:
PART NO.	TDC-002-3	OTHERWISE SPECIFIED:	0.00±0.1 0.000±0.05	

DESIGN	T.Y.LI	DATE	30-1-2004	SCALE	3:1
DRAWING	L.L.ZHANG	DATE	19-9-2006	MATERIAL	*
CHECK		DATE		DWG. NO.	TZ\DC002-3-PBT/C
APPROVAL		DATE		SHEET	

F

E

D

C

B

A

DCF-04/A