

F

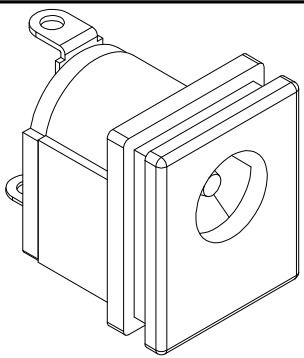
E

D

C

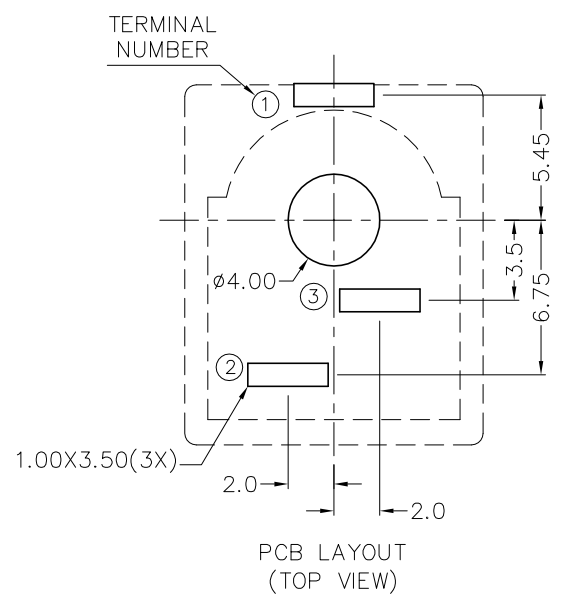
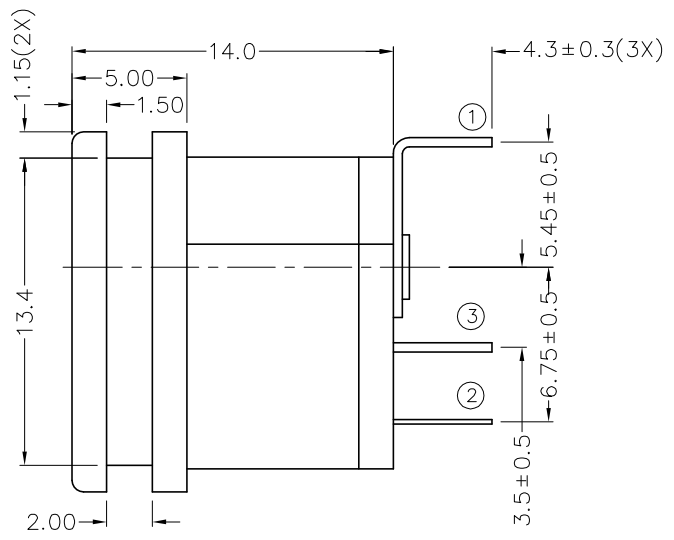
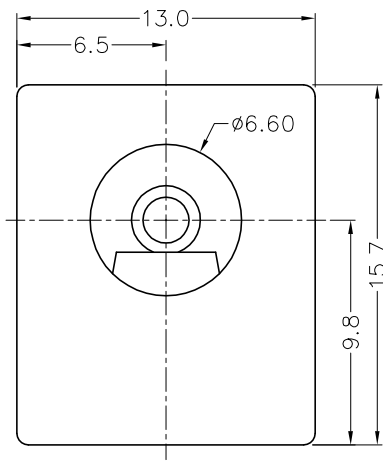
B

A



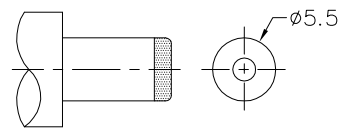
RoHS
Compliant

ZONE	SYMBOL	REVISION	APPROVAL	DATE
		UPDATE THE DIM.	J.X.KUANG	10-8-2011

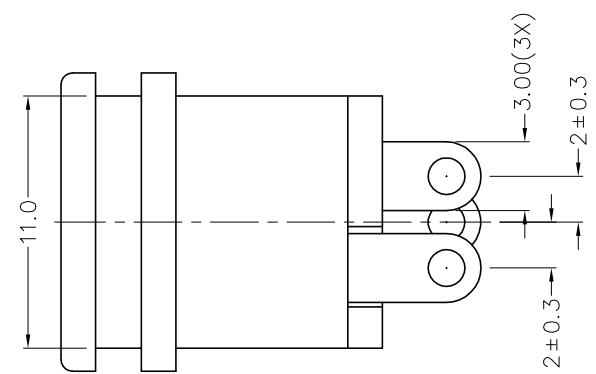


* MATERIAL

- CENTRE PIN : COPPER
- TERMINAL 1 : BRASS
- TERMINAL 2 : COPPER ALLOY
- TERMINAL 3 : BRASS
- HOUSING : PBT
- COVER : PBT



DC MATE PLUG



MODEL NO.	TDC-008
SCHEMATIC	
CENTER PIN	ø1.65mm
	ø2mm
	ø2.5mm

CHAMPWAY 冠泰電子有限公司
CHAMPWAY ELECTRONICS CO., LTD.

DESIGN	J.X.KUANG	DATE	3-7-2004	SCALE	3:1
DRAWING	T.Y.LI	DATE	10-8-2011	MATERIAL	*
CHECK		DATE		DWG. NO.	TZ\DC008-PBT/D
APPROVAL		DATE		SHEET	

PART NAME	DC POWER SOCKET	TOLERANCE UNLESS	0.0±0.2	UNIT:
PART NO.	TDC-008	OTHERWISE SPECIFIED:	0.00±0.1 0.000±0.05	

F

E

D

C

B

A