

F

E

D

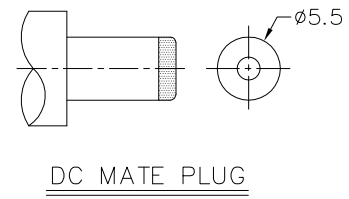
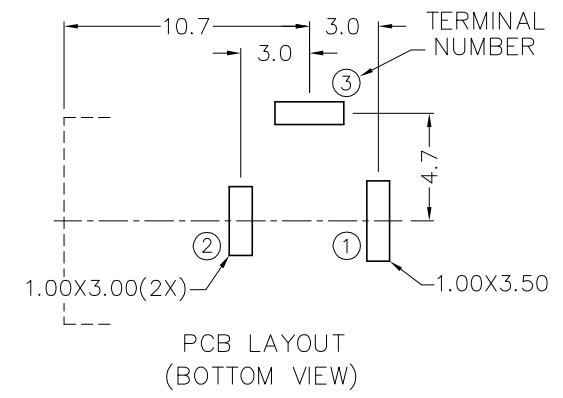
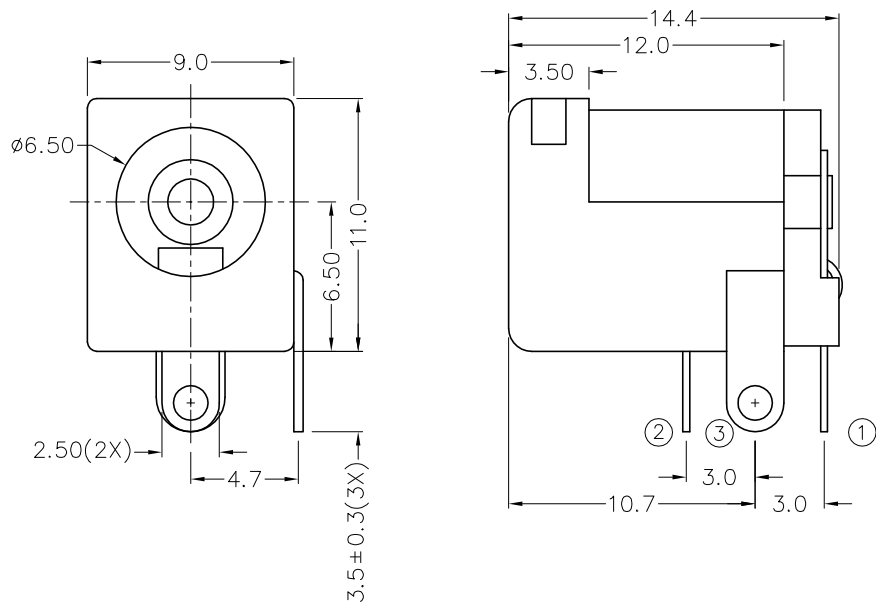
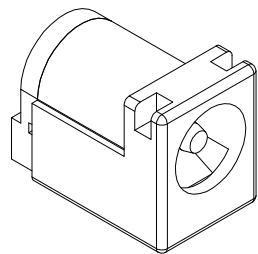
C

B

A

ZONE	SYMBOL	REVISION	APPROVAL	DATE
		RENOVATED STRUCTURE	J.X.KUANG	16-9-2008

RoHS
Compliant



MODEL NO.	TDC-002-1
SCHEMATIC	
CENTER PIN	$\phi 1.65\text{mm}$
	$\phi 2\text{mm}$
	$\phi 2.5\text{mm}$

* MATERIAL
 CENTRE PIN : COPPER
 TERMINAL 1 : BRASS
 TERMINAL 2 : COPPER ALLOY
 TERMINAL 3 : BRASS
 HOUSING : PBT
 COVER : PBT

CHAMPWAY 冠泰電子有限公司
 CHAMPWAY ELECTRONICS CO., LTD.

PART NAME	DC POWER SOCKET	TOLERANCE UNLESS	0.0±0.2	UNIT:		DESIGN	T.Y.LI	DATE	18-10-2005	SCALE	3:1
PART NO.	TDC-002-1	OTHERWISE SPECIFIED:	0.00±0.1 0.000±0.05	mm		DRAWING	T.Y.LI	DATE	16-9-2008	MATERIAL	*
						CHECK		DATE		DWG. NO.	TZ\PC002-1-PBT/F
						APPROVAL		DATE		SHEET	

F

E

D

C

B

A