

F

E

D

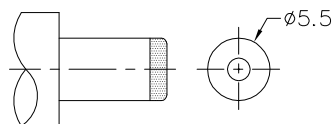
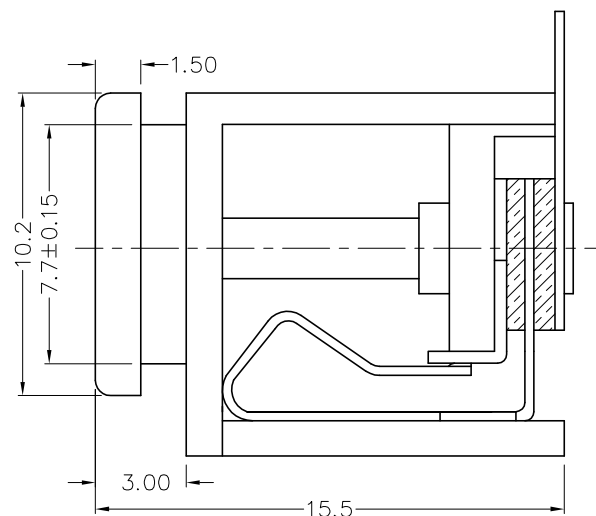
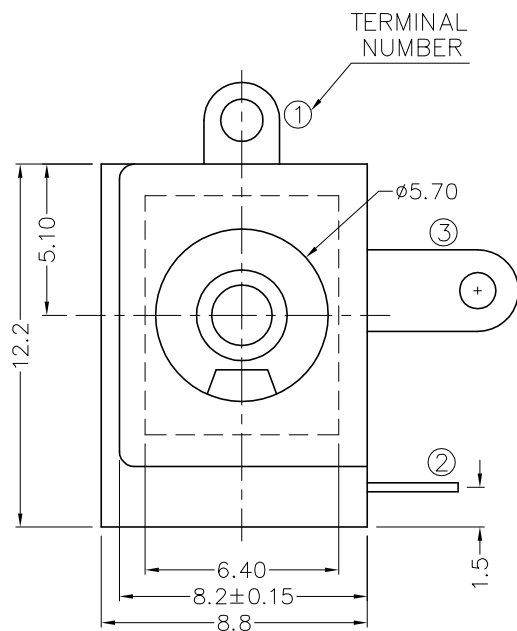
C

B

A

RoHS  
Compliant

ZONE	SYMBOL	REVISION	APPROVAL	DATE
		ADD MATE PLUG	J.X.KUANG	20-9-2006



DC MATE PLUG

MODEL NO.	TDC-005
SCHEMATIC	
CENTER PIN	φ1.45mm
	φ2mm
	φ2.35mm
	φ2.5mm

\* MATERIAL

CENTRE PIN : COPPER  
 TERMINAL 1 : BRASS  
 TERMINAL 2 : COPPER ALLOY  
 TERMINAL 3 : BRASS  
 INSULATOR : PBT  
 HOUSING : PBT



**CHAMPWAY** 冠泰電子有限公司  
 CHAMPWAY ELECTRONICS CO., LTD.

PART NAME	DC POWER SOCKET	TOLERANCE UNLESS	0.0±0.2	UNIT:	mm	DESIGN	L.L.ZHANG	DATE	26-9-2005	SCALE	4:1
PART NO.	TDC-005	OTHERWISE SPECIFIED:	0.00±0.1 0.000±0.05				DRAWING	L.L.ZHANG	DATE	20-9-2006	MATERIAL
						CHECK		DATE		DWG. NO.	TZ\DC005-PBT/D
						APPROVAL		DATE		SHEET	

F

E

D

C

B

A DCF-04/A