

F

E

D

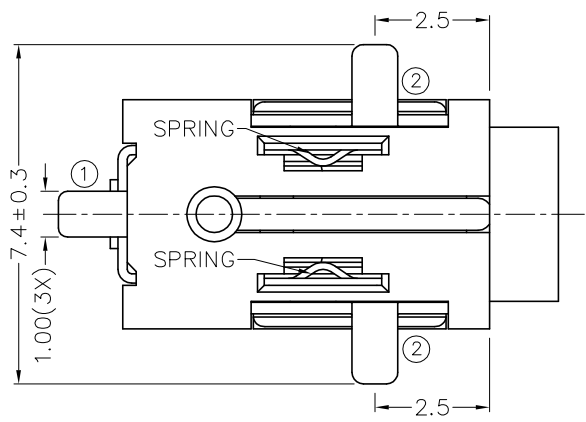
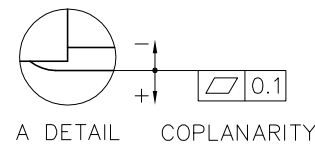
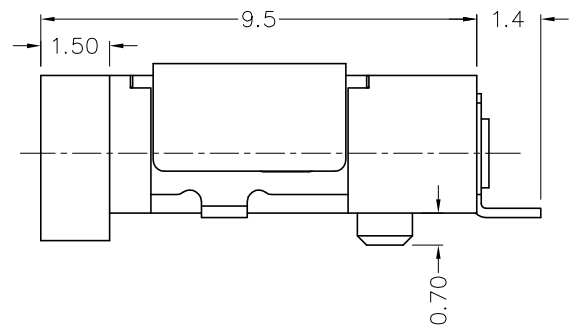
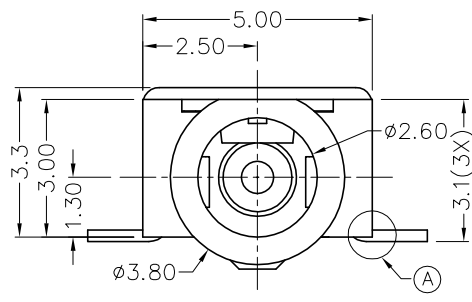
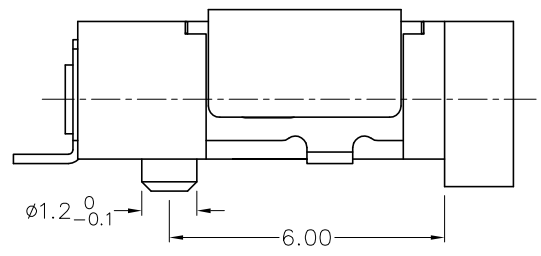
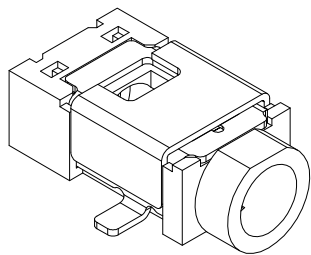
C

B

A

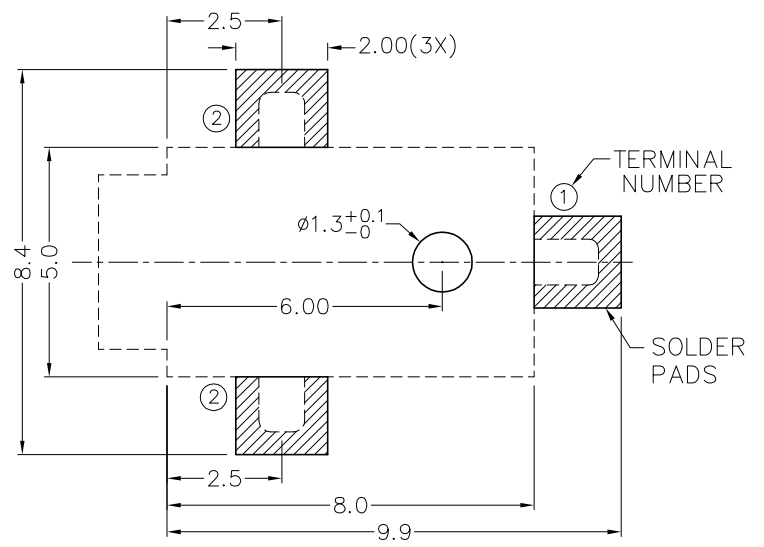
| ZONE | SYMBOL | REVISION | APPROVAL | DATE |
|------|--------|---------------------------------|-----------|-----------|
| | | ADDED INDICATION OF COPLANARITY | J.X.KUANG | 29-4-2010 |
| | | | | |
| | | | | |

RoHS
Compliant

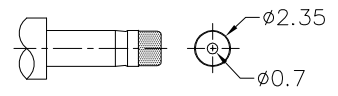


* MATERIAL

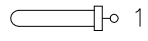

- CENTRE PIN : COPPER
- TERMINAL 1 : BRASS
- TERMINAL 2 : COPPER ALLOY
- SPRING : STAINLESS STEEL
- SHIELD : BRASS
- HOUSING : PA6T



RECOMMENDED
SOLDER PAD LAYOUT
(TOP VIEW)

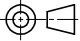


DC MATE PLUG

| | |
|------------|--|
| MODEL NO. | TDC-063DS |
| SCHEMATIC |  1  2 |
| CENTER PIN | $\phi 0.65\text{mm}$ |

 **CHAMPWAY** 冠泰電子有限公司
CHAMPWAY ELECTRONICS CO., LTD.

| | | | | | |
|----------|--------|------|-----------|----------|-------------------|
| DESIGN | T.Y.LI | DATE | 12-9-2005 | SCALE | 6:1 |
| DRAWING | T.Y.LI | DATE | 29-4-2010 | MATERIAL | * |
| CHECK | | DATE | | DWG. NO. | TZ\DC063DS-PA6T/C |
| APPROVAL | | DATE | | SHEET | |

| | | | | | |
|-----------|---------------------|----------------------|------------------------------------|-------|---|
| PART NAME | SMD DC POWER SOCKET | TOLERANCE UNLESS | 0.0 ± 0.2 | UNIT: |  |
| PART NO. | TDC-063DS | OTHERWISE SPECIFIED: | 0.00 ± 0.1 0.000 ± 0.05 | mm | |

F

E

D

C

B

A