

F

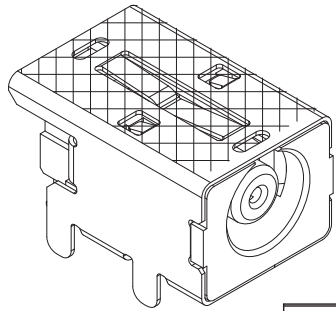
E

D

C

B

A



RoHS
Compliant

| ZONE | SYMBOL | REVISION | APPROVAL | DATE |
|------|--------|----------|----------|------|
| | | | | |
| | | | | |
| | | | | |

1

1

2

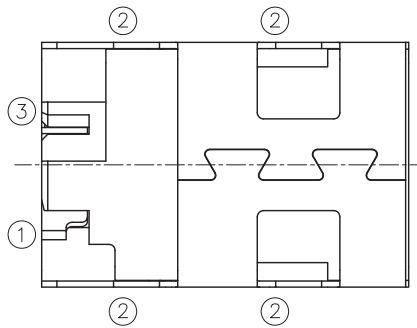
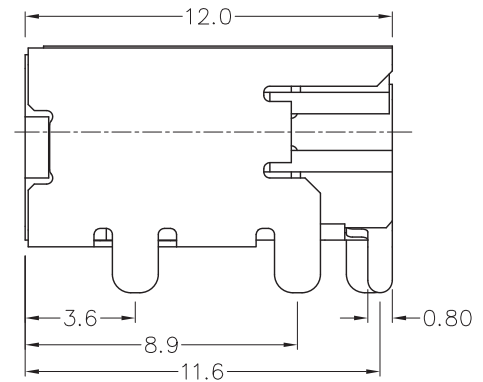
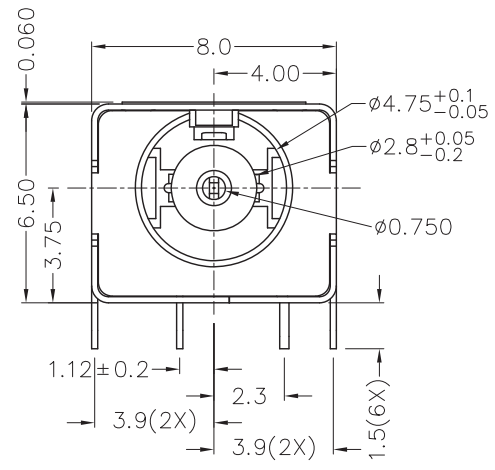
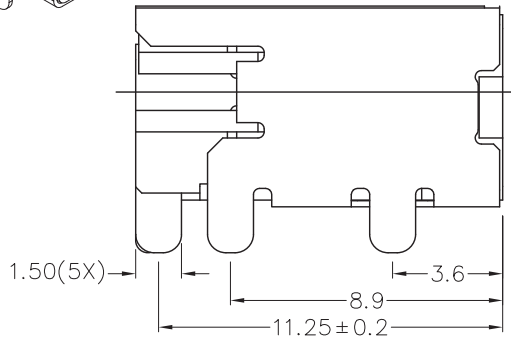
2

3

3

4

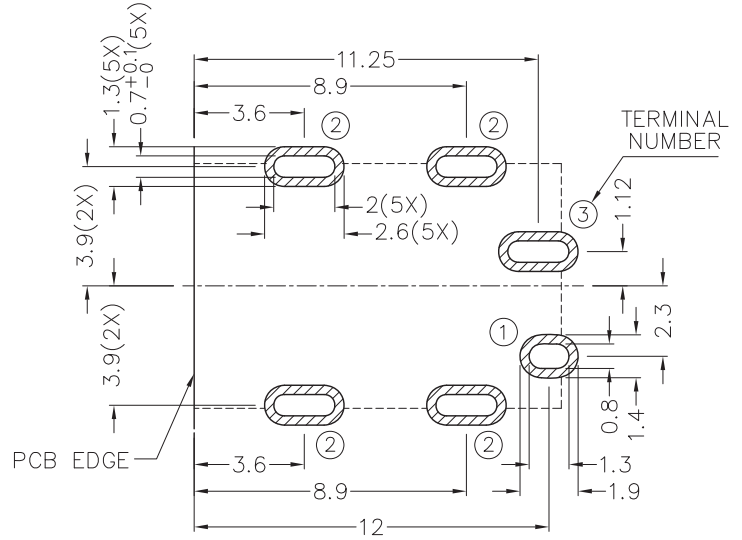
4



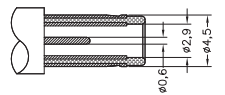
*** MATERIAL**

- TERMINAL 1 : COPPER ALLOY
- TERMINAL 2 : COPPER ALLOY
- TERMINAL 3 : COPPER ALLOY
- HOUSING : PA10T
- MYLAR : POLYIMIDE

| | |
|-----------|------------------------|
| MODEL NO. | TDC-108HT1 |
| SCHEMATIC | 3(V+) 1(S) 2(V-) |



RECOMMENDED PCB LAYOUT
TOLERANCE: ±0.05
(TOP VIEW)



DC MATE PLUG

CHAMPWAY 冠泰電子有限公司
CHAMPWAY ELECTRONICS CO., LTD.

| | | | | | |
|----------|----------|------|------------|----------|---------------------|
| DESIGN | CH.XIONG | DATE | 22-10-2012 | SCALE | 4:1 |
| DRAWING | CH.XIONG | DATE | 1-11-2012 | MATERIAL | * |
| CHECK | | DATE | | DWG. NO. | TZ/DC108HT1-PA10T/A |
| APPROVAL | | DATE | | SHEET | |

| | | | | | |
|-----------|------------------------------|----------------------|------------------------|-------|----|
| PART NAME | HIGH CURRENT DC POWER SOCKET | TOLERANCE UNLESS | 0.0±0.2 | UNIT: | mm |
| PART NO. | TDC-108HT1 | OTHERWISE SPECIFIED: | 0.00±0.1 0.000±0.05 | | |

F

E

D

C

B

A