

F

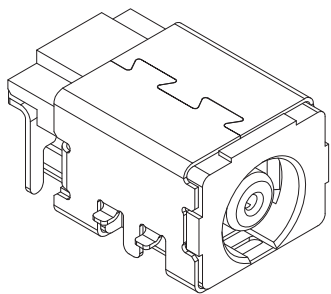
E

D

C

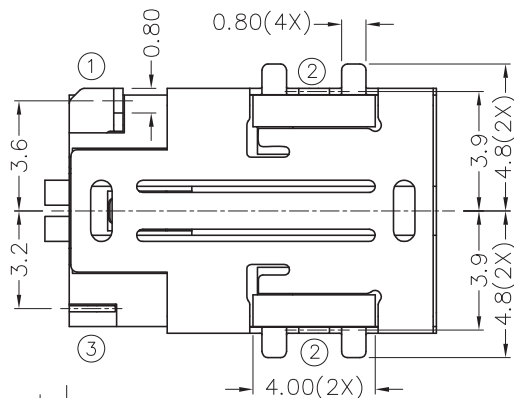
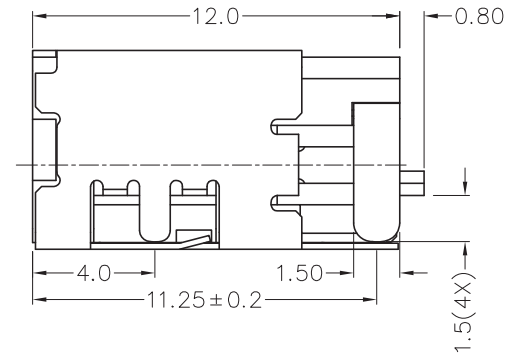
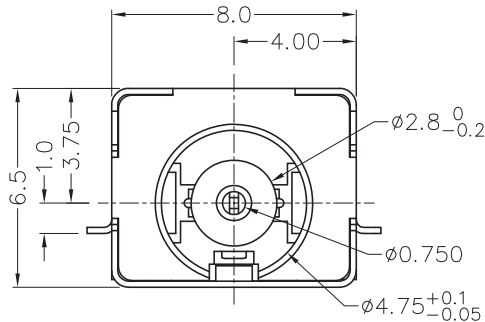
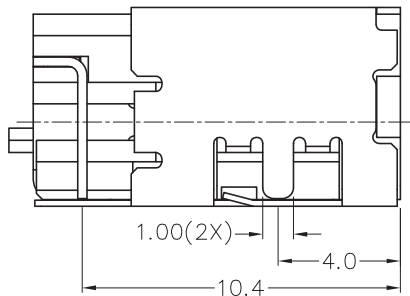
B

A



RoHS  
Compliant

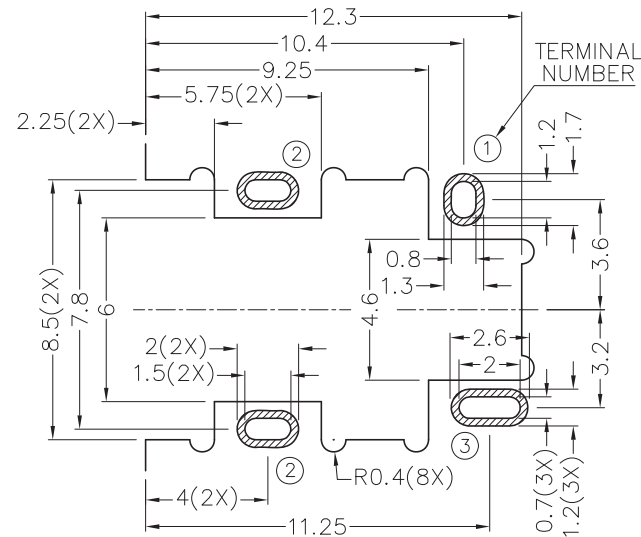
ZONE	SYMBOL	REVISION	APPROVAL	DATE



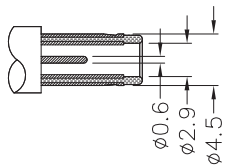
\* MATERIAL

TERMINAL 1 : COPPER ALLOY  
 TERMINAL 2 : COPPER ALLOY  
 TERMINAL 3 : COPPER ALLOY  
 HOUSING : PA10T

MODEL NO.	TDC-112DH
SCHEMATIC	



RECOMMENDED PCB LAYOUT  
 TOLERANCE: ±0.05  
 (TOP VIEW)



DC MATE PLUG



**CHAMPWAY** 冠泰電子有限公司  
 CHAMPWAY ELECTRONICS CO., LTD.

PART NAME HIGH CURRENT SMD DC POWER SOCKET  
 PART NO. TDC-112DH

TOLERANCE UNLESS 0.0±0.2  
 0.00±0.1  
 OTHERWISE SPECIFIED: 0.000±0.05

UNIT: mm



DESIGN	G.P.YI	DATE	22-2-2013	SCALE	4:1
DRAWING	G.P.YI	DATE	22-2-2013	MATERIAL	*
CHECK		DATE		DWG. NO.	TZ\DC112DH-PA10T/A
APPROVAL		DATE		SHEET	

F

E

D

C

B

A