

F

E

D

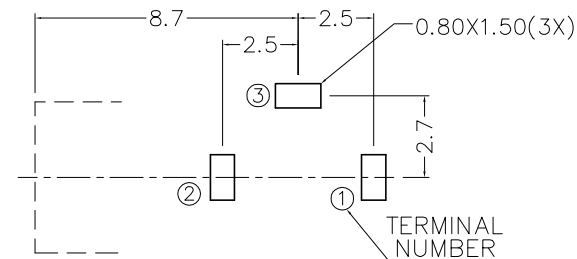
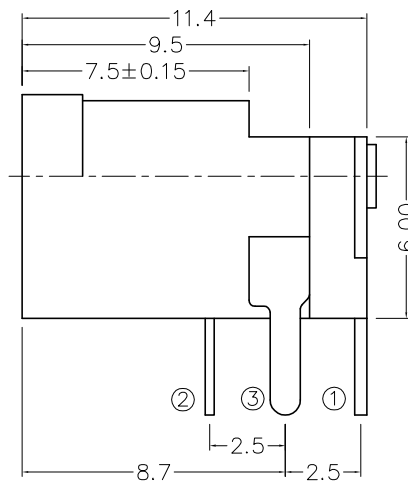
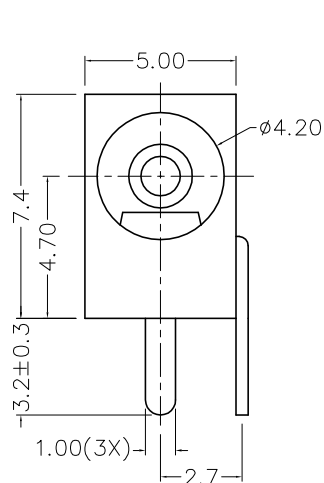
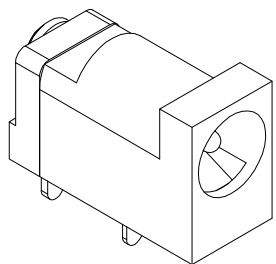
C

B

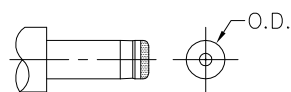
A

ZONE	SYMBOL	REVISION	APPROVAL	DATE
		CHANGE MATE PLUG	J.X.KUANG	21-9-2006

RoHS
Compliant



PCB LAYOUT
(BOTTOM VIEW)



DC MATE PLUG

MODEL NO.	TDC-009-1	TDC-009-1	TDC-009-1
SCHEMATIC			
CENTER PIN	ø1mm	ø1.3mm	ø1.65mm
DC PLUG O.D.	ø3.4mm/ø3.8mm	ø3.4mm/ø3.8mm	ø3.8mm/ø4mm

* MATERIAL

CENTRE PIN : COPPER
 TERMINAL 1 : BRASS
 TERMINAL 2 : COPPER ALLOY
 TERMINAL 3 : BRASS
 HOUSING : PBT
 COVER : PBT

CHAMPWAY 冠泰電子有限公司
 CHAMPWAY ELECTRONICS CO., LTD.

DESIGN	T.Y.LI	DATE	17-9-2005	SCALE	4:1
DRAWING	L.L.ZHANG	DATE	21-9-2006	MATERIAL	*
CHECK		DATE		DWG. NO.	TZ\DC009-1-PBT/D
APPROVAL		DATE		SHEET	

PART NAME
DC POWER SOCKET

PART NO.
TDC-009-1

TOLERANCE UNLESS 0.0±0.2
 0.00±0.1
 OTHERWISE SPECIFIED: 0.000±0.05

UNIT:
mm



F

E

D

C

B

A

DCF-04/A