

F

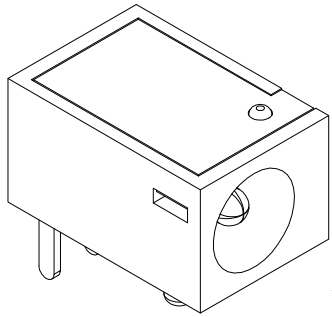
E

D

C

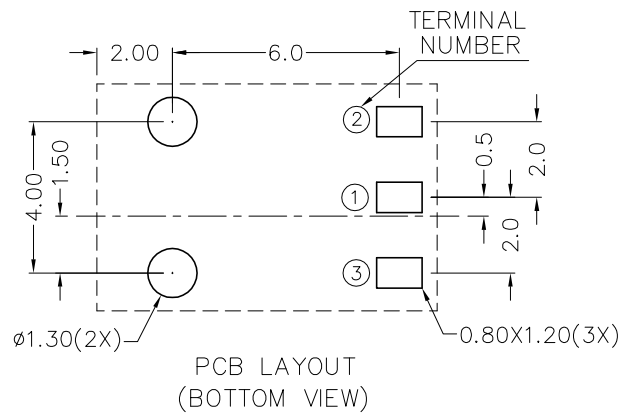
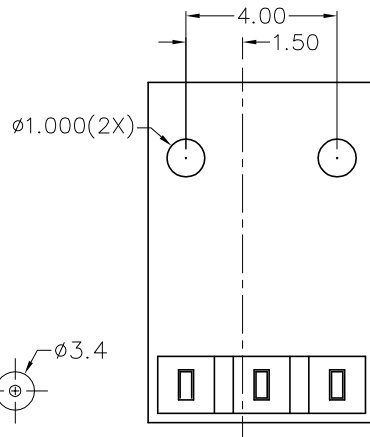
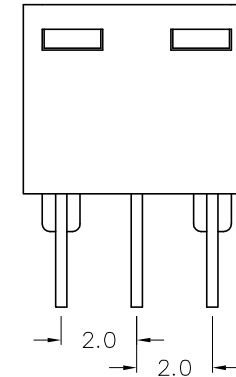
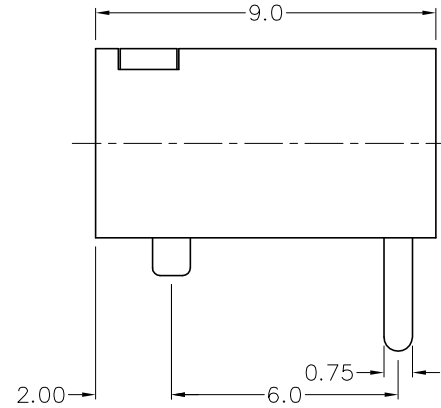
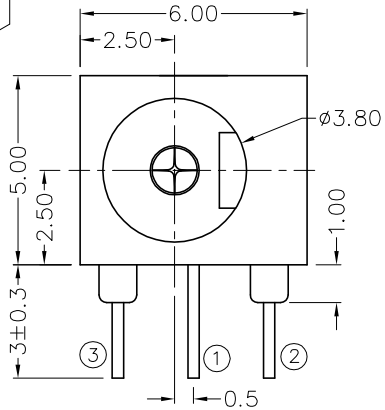
B

A



RoHS  
Compliant

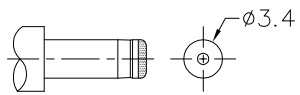
ZONE	SYMBOL	REVISION	APPROVAL	DATE
		ADD MATE PLUG	J.X.KUANG	27-6-2006



MODEL NO.	TDC-015
SCHEMATIC	1, 2, 3
CENTER PIN	ø1mm
	ø1.3mm

\* MATERIAL

TERMINAL 1 : BRASS  
 TERMINAL 2 : COPPER ALLOY  
 TERMINAL 3 : BRASS  
 HOUSING : PA66  
 COVER : PA66



DC MATE PLUG



**CHAMPWAY** 冠泰電子有限公司  
 CHAMPWAY ELECTRONICS CO., LTD.

DESIGN	T.Y.LI	DATE	13-6-2005	SCALE	5:1
DRAWING	T.Y.LI	DATE	27-6-2006	MATERIAL	*
CHECK		DATE		DWG. NO.	TZ\DC015-PA66/C
APPROVAL		DATE		SHEET	

PART NAME	DC POWER SOCKET	TOLERANCE UNLESS	0.0±0.2	UNIT:
PART NO.	TDC-015	OTHERWISE SPECIFIED:	0.00±0.1 0.000±0.05	

F

E

D

C

B

A

DCF-04/A