

F

E

D

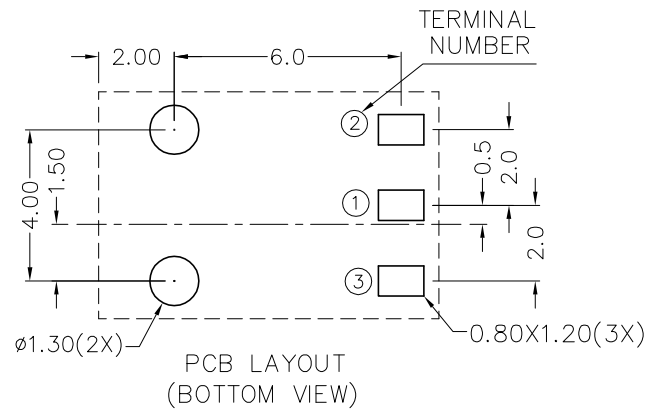
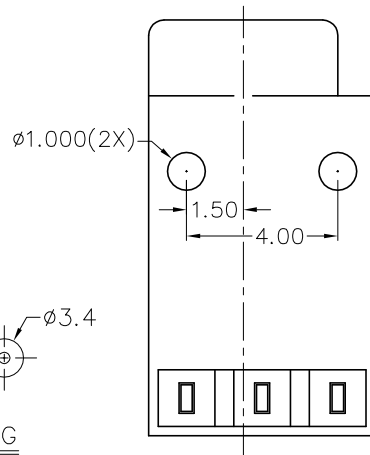
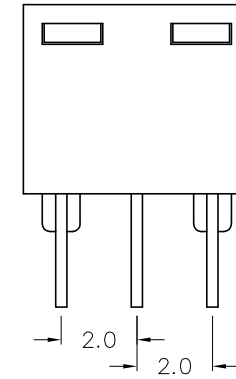
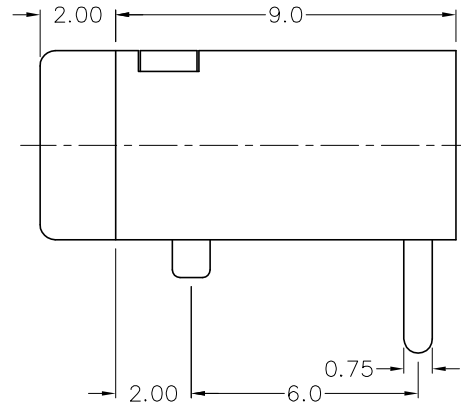
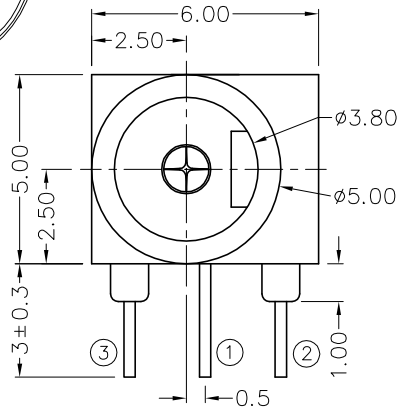
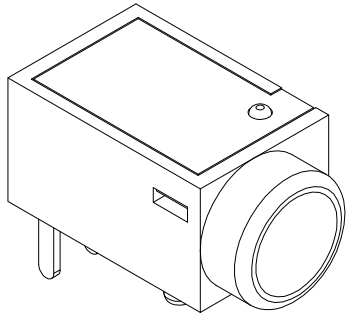
C

B

A

RoHS
Compliant

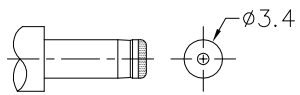
ZONE	SYMBOL	REVISION	APPROVAL	DATE
		ADD MATE PLUG	J.X.KUANG	27-6-2006



MODEL NO.	TDC-022
SCHEMATIC	
CENTER PIN	$\phi 1\text{mm}$ $\phi 1.3\text{mm}$

* MATERIAL

TERMINAL 1 : BRASS
 TERMINAL 2 : COPPER ALLOY
 TERMINAL 3 : BRASS
 HOUSING : PA66
 COVER : PA66



DC MATE PLUG



CHAMPWAY 冠泰電子有限公司
 CHAMPWAY ELECTRONICS CO., LTD.

DESIGN	T.Y.LI	DATE	13-6-2005	SCALE	5:1
DRAWING	T.Y.LI	DATE	27-6-2006	MATERIAL	*
CHECK		DATE		DWG. NO.	TZ\DC022-PA66/C
APPROVAL		DATE		SHEET	

PART NAME	DC POWER SOCKET	TOLERANCE UNLESS	0.0±0.2	UNIT:	mm
PART NO.	TDC-022	OTHERWISE SPECIFIED:	0.00±0.1 0.000±0.05		

F

E

D

C

B

A

DCF-04/A