

F

E

D

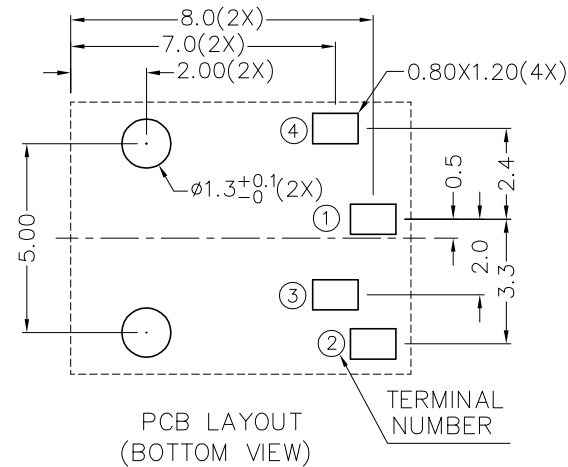
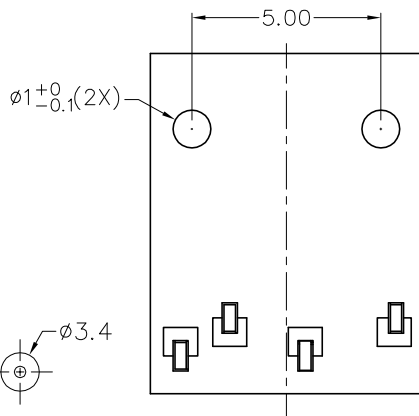
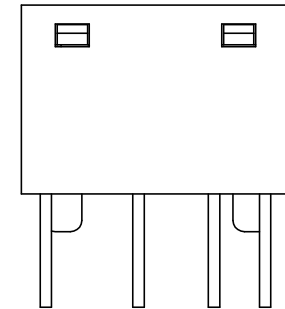
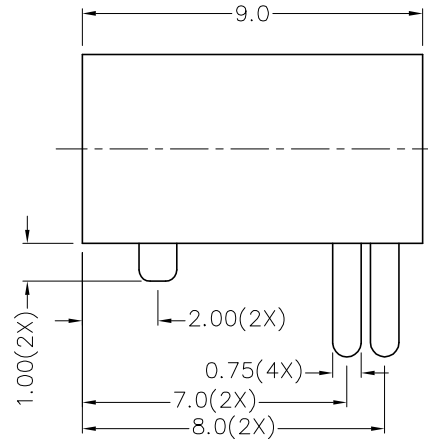
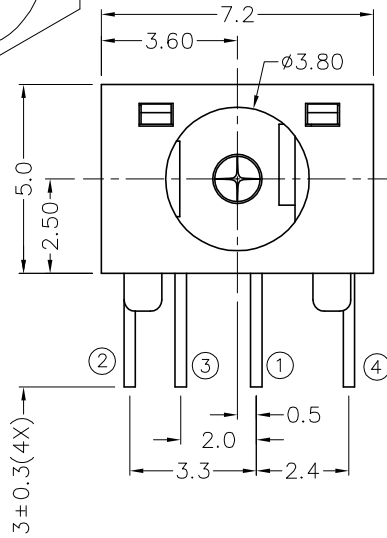
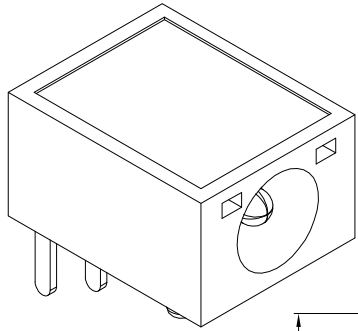
C

B

A

RoHS  
Compliant

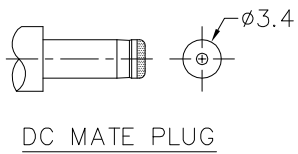
ZONE	SYMBOL	REVISION	APPROVAL	DATE
		ADD MATE PLUG	J.X.KUANG	12-7-2006



\* MATERIAL

TERMINAL 1 : BRASS  
 TERMINAL 2 : COPPER ALLOY  
 TERMINAL 3 : BRASS  
 TERMINAL 4 : COPPER ALLOY  
 HOUSING : PA66  
 COVER : PA66  
 INSULATOR : PA66

MODEL NO.	TDC-052
SCHEMATIC	
CENTER PIN	φ1mm φ1.3mm



DC MATE PLUG

**CHAMPWAY** 冠泰電子有限公司  
 CHAMPWAY ELECTRONICS CO., LTD.

DESIGN	T.Y.LI	DATE	26-2-2004	SCALE	5:1
DRAWING	T.Y.LI	DATE	12-7-2006	MATERIAL	*
CHECK		DATE		DWG. NO.	TZ\DC052-PA66/B
APPROVAL		DATE		SHEET	

PART NAME  
DC POWER SOCKET

DC POWER SOCKET

TOLERANCE UNLESS 0.0±0.2  
 0.00±0.1  
 OTHERWISE SPECIFIED: 0.000±0.05

UNIT: mm



F

E

D

C

B

A

DCF-04/A