

F

E

D

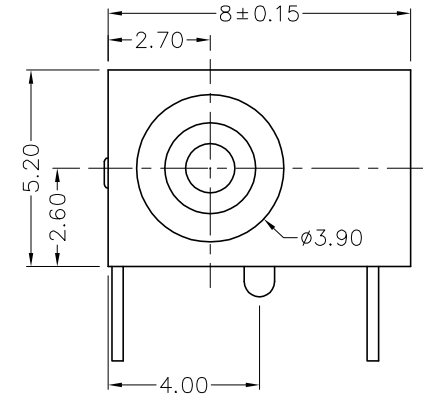
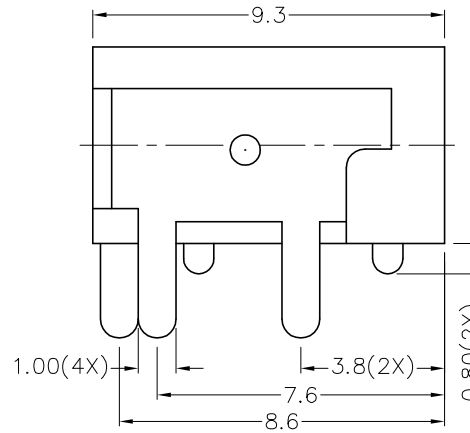
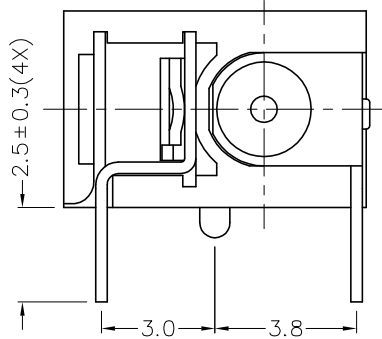
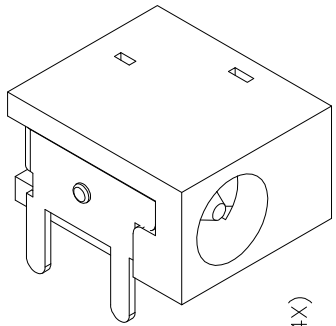
C

B

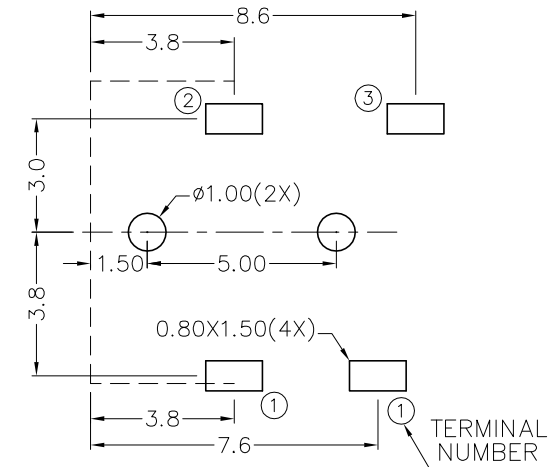
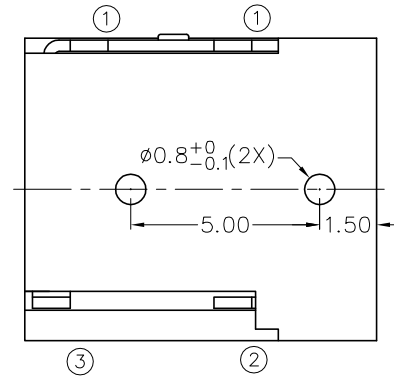
A

ZONE	SYMBOL	REVISION	APPROVAL	DATE
		ADD MATE PLUG	J.X.KUANG	30-9-2006

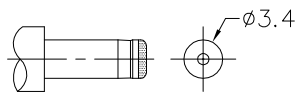
RoHS  
Compliant



MODEL NO.	TDC-054
SCHEMATIC	
CENTER PIN	φ1mm
	φ1.3mm



PCB LAYOUT  
(BOTTOM VIEW)



DC MATE PLUG

\* MATERIAL:

CENTRE PIN : COPPER  
 TERMINAL 1 : BRASS  
 TERMINAL 2 : COPPER ALLOY  
 TERMINAL 3 : BRASS  
 HOUSING : PA66



**CHAMPWAY** 冠泰電子有限公司  
 CHAMPWAY ELECTRONICS CO., LTD.

DESIGN	J.JIANG	DATE	21-9-2004	SCALE	5:1
DRAWING	L.L.ZHANG	DATE	30-9-2006	MATERIAL	*
CHECK		DATE		DWG. NO.	TZ\DC054-PA66/C
APPROVAL		DATE		SHEET	

PART NAME	DC POWER SOCKET	TOLERANCE UNLESS	0.0±0.2	UNIT:
PART NO.	TDC-054	OTHERWISE SPECIFIED:	0.00±0.1 0.000±0.05	

F

E

D

C

B

A

DCF-04/A