

F

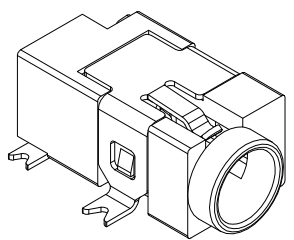
E

D

C

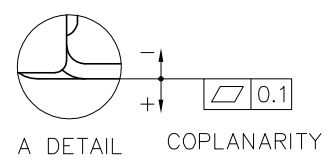
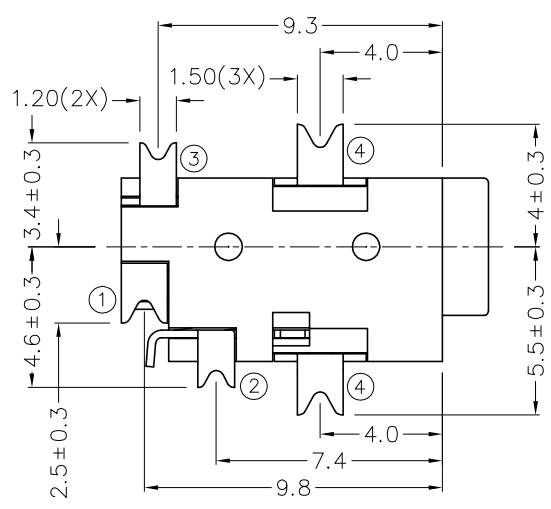
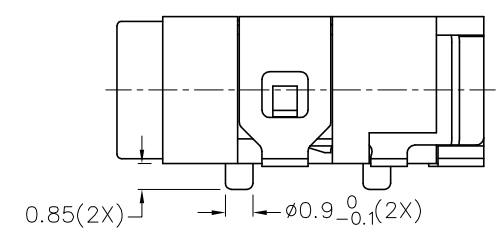
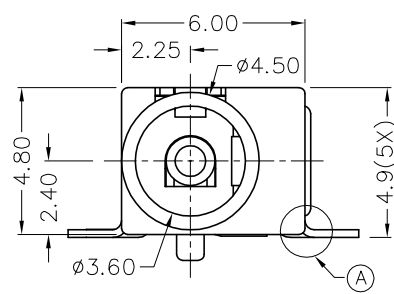
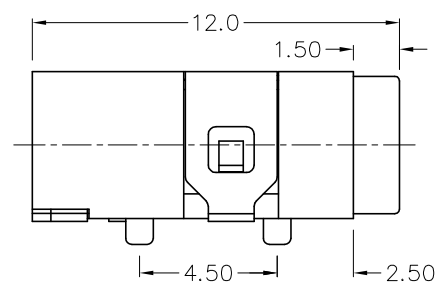
B

A



RoHS
Compliant

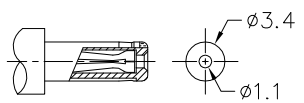
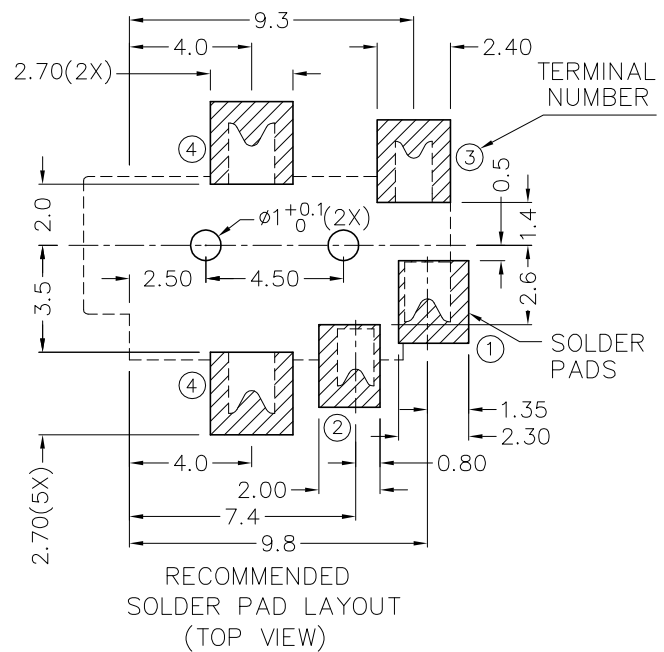
ZONE	SYMBOL	REVISION	APPROVAL	DATE
		ADDED INDICATION OF COPLANARITY	J.X.KUANG	27-4-2010



* MATERIAL

- TERMINAL 1 : BRASS
- TERMINAL 2 : COPPER ALLOY
- TERMINAL 3 : BRASS
- TERMINAL 4 : COPPER ALLOY
- HOUSING : PA6T

MODEL NO.	TDC-053D
SCHEMATIC	
CENTER PIN	ø1mm



DC MATE PLUG

CHAMPWAY 冠泰電子有限公司
CHAMPWAY ELECTRONICS CO., LTD.

DESIGN	T.Y.LI	DATE	3-4-2004	SCALE	4:1
DRAWING	T.Y.LI	DATE	27-4-2010	MATERIAL	*
CHECK		DATE		DWG. NO.	TZ\PC053D-PA6T/D
APPROVAL		DATE		SHEET	

PART NAME	SMD DC POWER SOCKET	TOLERANCE UNLESS	0.0±0.2	UNIT:	mm
PART NO.	TDC-053D	OTHERWISE SPECIFIED:	0.00±0.1 0.000±0.05		

F

E

D

C

B

A