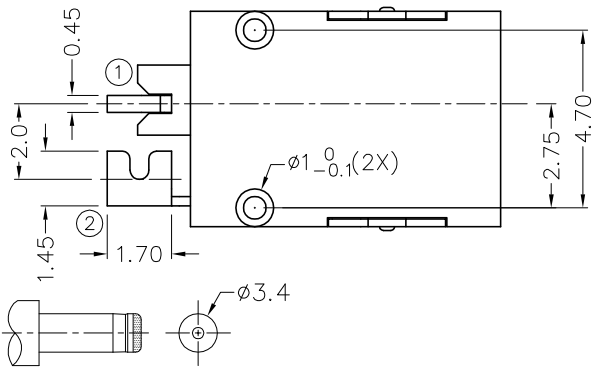
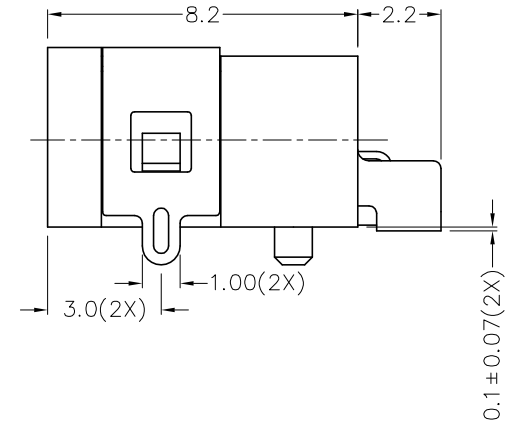
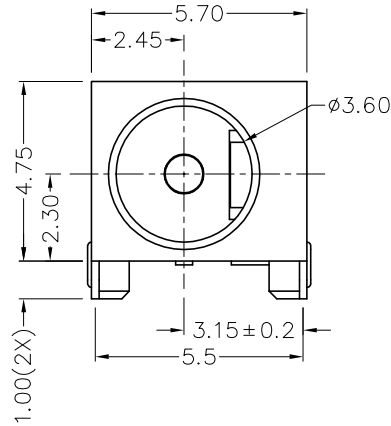
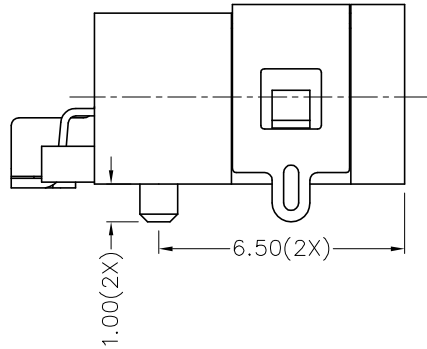


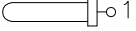

RoHS  
Compliant

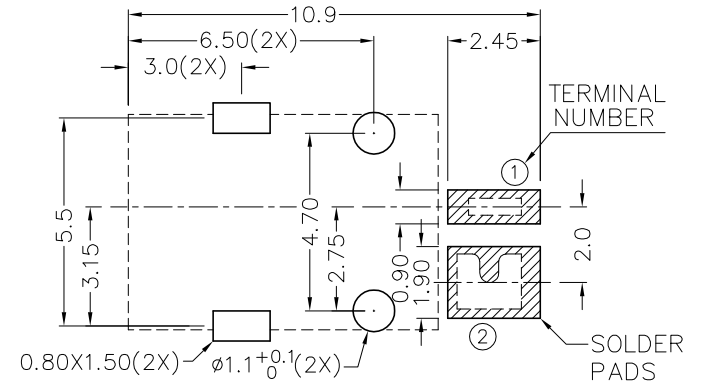
ZONE	SYMBOL	REVISION	APPROVAL	DATE



\* MATERIAL

TERMINAL 1 : COPPER ALLOY  
 TERMINAL 2 : COPPER ALLOY  
 SHIELD : BRASS  
 HOUSING : PA6T

MODEL NO.	TDC-070DS
SCHEMATIC	 1  2
CENTER PIN	ø1mm



RECOMMENDED  
SOLDER PAD LAYOUT

DC MATE PLUG

 **CHAMPWAY** 冠泰電子有限公司  
CHAMPWAY ELECTRONICS CO., LTD.

DESIGN	G.P.YI	DATE	5-7-2007	SCALE	5:1
DRAWING	G.P.YI	DATE	5-7-2007	MATERIAL	*
CHECK		DATE		DWG. NO.	TZ\DC070DS-PA6T/A
APPROVAL		DATE		SHEET	

PART NAME	SMD DC POWER SOCKET	TOLERANCE UNLESS	0.0±0.2	UNIT:	
PART NO.	TDC-070DS	OTHERWISE SPECIFIED:	0.00±0.1 0.000±0.05	mm	