

F

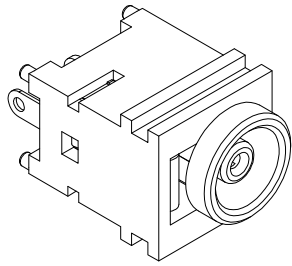
E

D

C

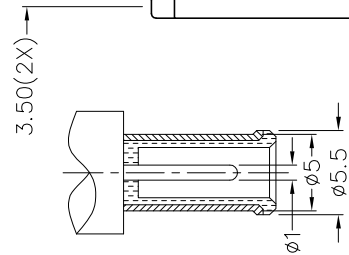
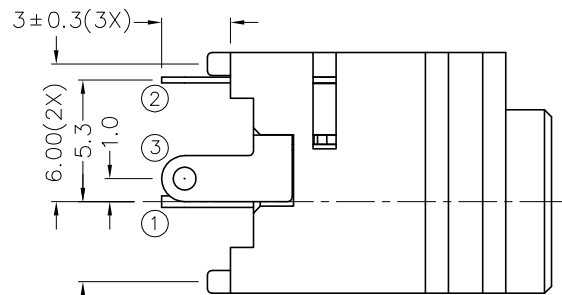
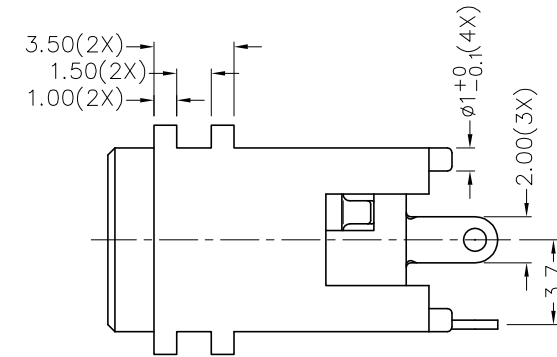
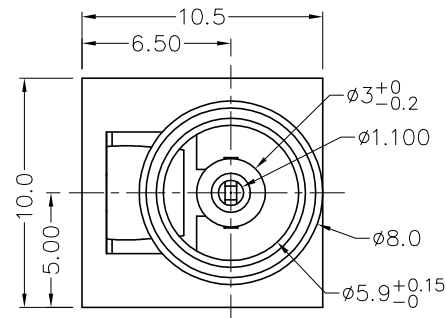
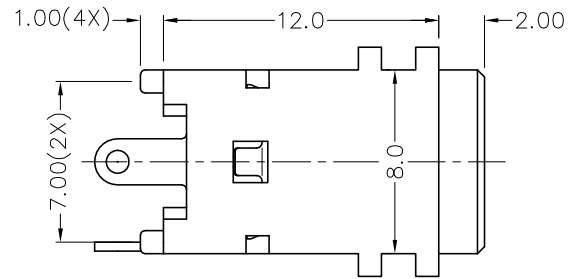
B

A



RoHS
Compliant

ZONE	SYMBOL	REVISION	APPROVAL	DATE

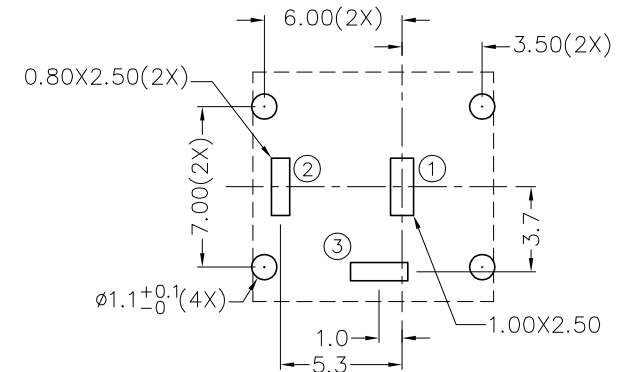


DC MATE PLUG

* MATERIAL

TERMINAL 1 : BRASS
TERMINAL 2 : COPPER ALLOY
TERMINAL 3 : BRASS
HOUSING : PA66

MODEL NO.	TDC-092
SCHMATIC	



PCB LAYOUT
(TOP VIEW)



CHAMPWAY 冠泰電子有限公司
CHAMPWAY ELECTRONICS CO., LTD.

PART NAME	DC POWER SOCKET	TOLERANCE UNLESS	0.0±0.2	UNIT:
PART NO.	TDC-092	OTHERWISE SPECIFIED:	0.00±0.1 0.000±0.05	

DESIGN	G.P. YI	DATE	17-2-2011	SCALE	3:1
DRAWING	G.P. YI	DATE	17-2-2011	MATERIAL	*
CHECK		DATE		DWG. NO.	TZ\DC092-PA66/A
APPROVAL		DATE		SHEET	

F

E

D

C

B

A