

F

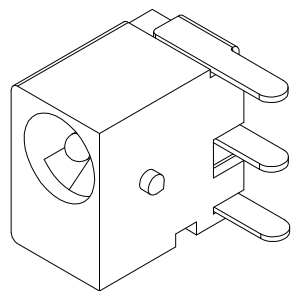
E

D

C

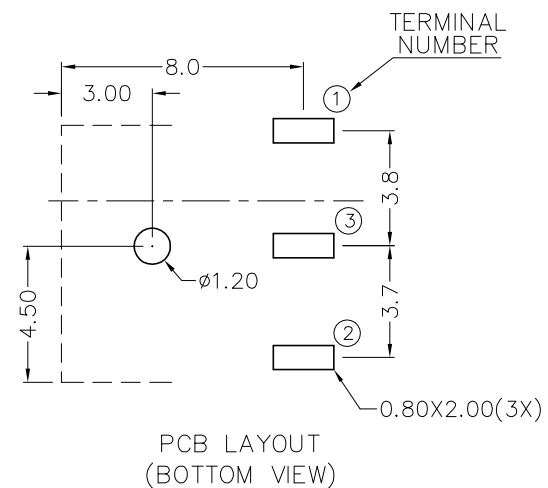
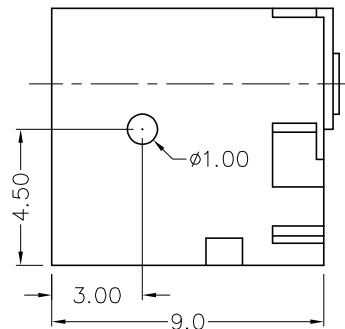
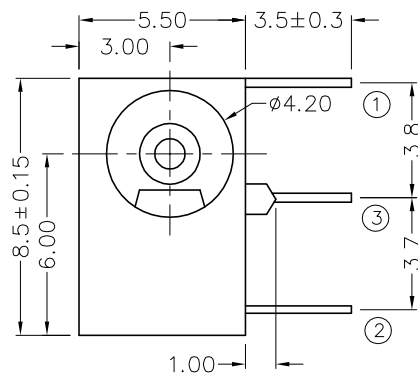
B

A



RoHS
Compliant

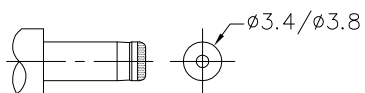
ZONE	SYMBOL	REVISION	APPROVAL	DATE
		ADD MATE PLUG	J.X.KUANG	22-9-2006



* MATERIAL

CENTRE PIN : COPPER
 TERMINAL 1 : BRASS
 TERMINAL 2 : COPPER ALLOY
 TERMINAL 3 : BRASS
 HOUSING : PBT

MODEL NO.	TDC-011	TDC-011
SCHEMATIC		
CENTER PIN	φ1mm	φ1.3mm



DC MATE PLUG



CHAMPWAY 冠泰電子有限公司
 CHAMPWAY ELECTRONICS CO., LTD.

DESIGN	J.X.KUANG	DATE	9-10-2003	SCALE	4:1
DRAWING	L.L.ZHANG	DATE	22-9-2006	MATERIAL	*
CHECK		DATE		DWG. NO.	TZ\DC011-PBT/B
APPROVAL		DATE		SHEET	

PART NAME	DC POWER SOCKET	TOLERANCE UNLESS	0.0±0.2	UNIT:	
PART NO.	TDC-011	OTHERWISE SPECIFIED:	0.00±0.1 0.000±0.05	mm	

F

E

D

C

B

A

DCF-04/A