

F

E

D

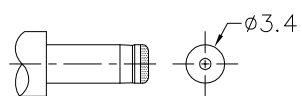
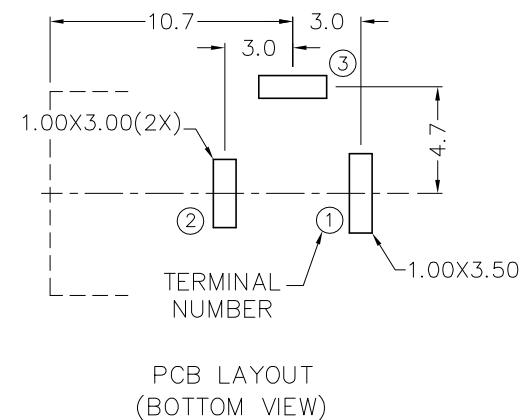
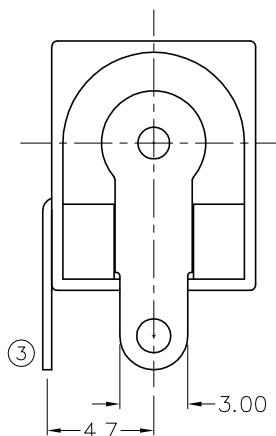
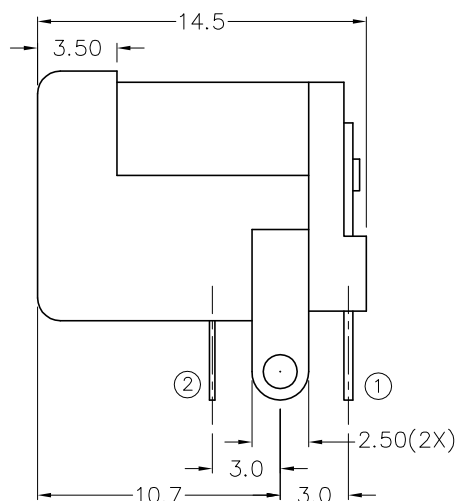
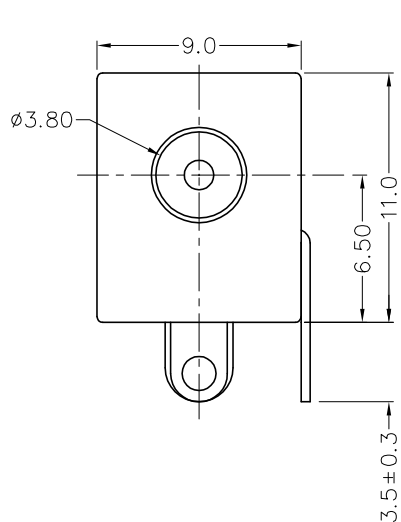
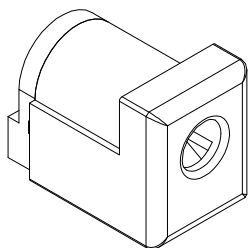
C

B

A

ZONE	SYMBOL	REVISION	APPROVAL	DATE
		ADD MATE PLUG	J.X.KUANG	25-9-2006

RoHS
Compliant



DC MATE PLUG

MODEL NO.	TDC-014-1
SCHEMATIC	
CENTER PIN	$\phi 1\text{mm}$
	$\phi 1.3\text{mm}$

* MATERIAL

CENTRE PIN : COPPER
 TERMINAL 1 : BRASS
 TERMINAL 2 : COPPER ALLOY
 TERMINAL 3 : BRASS
 HOUSING : PBT
 COVER : PBT



CHAMPWAY 冠泰電子有限公司
 CHAMPWAY ELECTRONICS CO., LTD.

DESIGN	K.Y.AU-YEUNG	DATE	9-10-2003	SCALE	3:1
DRAWING	L.L.ZHANG	DATE	25-9-2006	MATERIAL	*
PART NAME	DC POWER SOCKET	TOLERANCE UNLESS	0.0±0.2	CHECK	
PART NO.	TDC-014-1	OTHERWISE SPECIFIED:	0.00±0.1 0.000±0.05	DATE	
UNIT:	mm	APPROVAL		DATE	
				DWG. NO.	TZ\DC014-1-PBT/B
				SHEET	

F

E

D

C

B

A

DCF-04/A