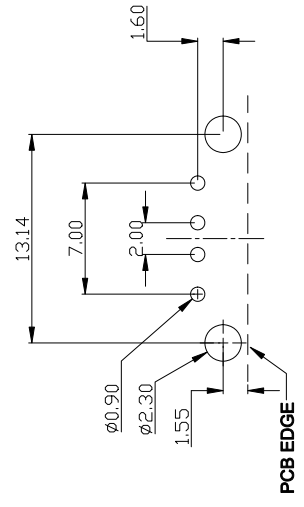
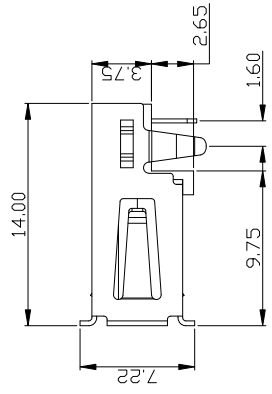
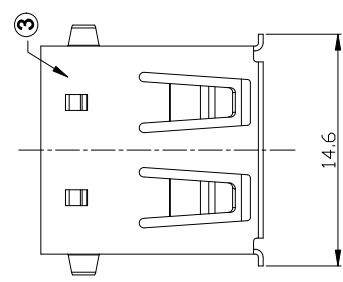
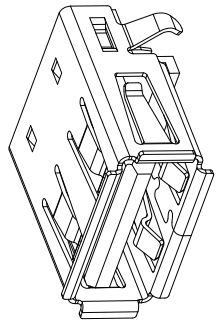
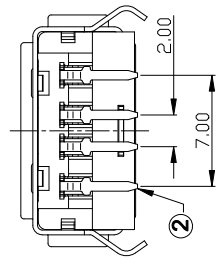
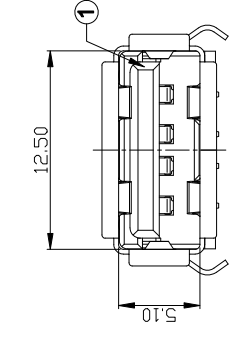


NO.	NAME	MATERIAL	FINISH
1	HOUSING	Nylon / LCP	
2	CONTACT	PHOS. BRONZE	Gold-Tin Plated
3	SHELL	BRASS	Ni Plated

REV. ZONE	REVISION	DATE	APPD.



**RECOMMENDED PCB LAYOUT
TOP VIEW**



SUA-110E * - * * *

Series: Shell
 Type: Z : Nickel Plated (Shiny Surface)
 B: BLACK
 Material: Version 1 : 1.1
 P : Nylon 2 : 2.0
 L : LCP



MODEL SUA-110E * - * * * PAGE 1 OF 1

COMPUTER NO.	UNIT	SCALE	PART NAME
D : \ DWG \ SUA-110E	mm	1 : 1	USB. TYPE A FLAT 90° DTP
APPD.	DATE	TOLERANCE	REV.
Aaron	2010-04-28	0.000mm ± 0.075mm 0.00 mm ± 0.15 mm 0.0 mm ± 0.25 mm	A.0