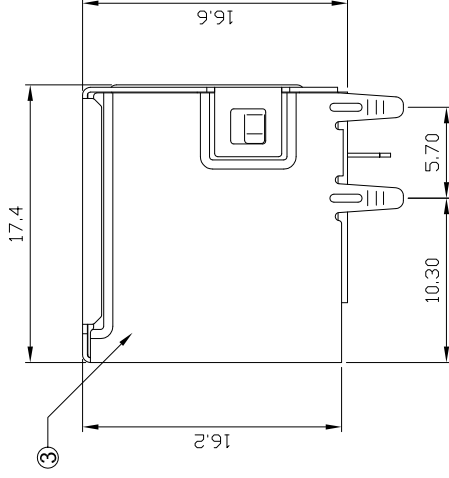
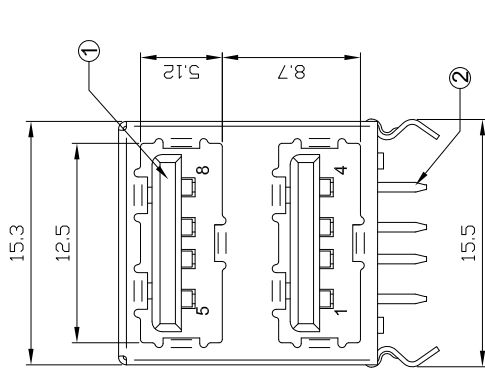
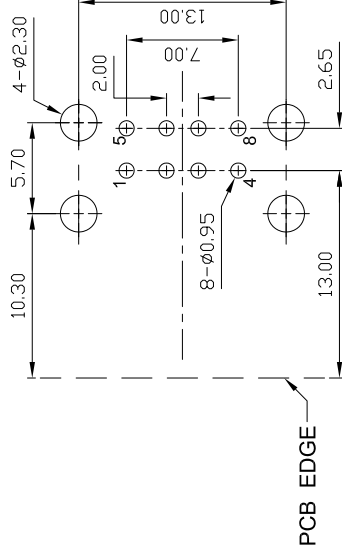


NO.	NAME	MATERIAL
1	HOUSING	PBT / Nylon
2	PIN TERM.	Copper Alloy
3	SHELL	Alloy

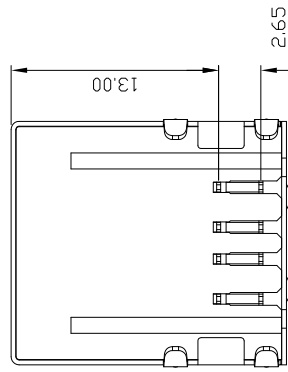
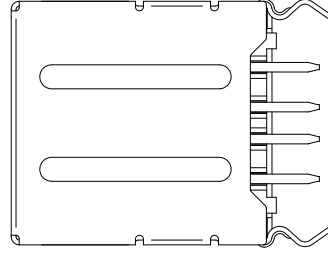


SUA-210H2 * - * - * * *

Series _____
 Type _____
 Color
 B : Black
 W : White
 Shell
 N : Nickel Plated (Foggy Surface)
 Version
 1 : 1.1
 2 : 2.0
 Material
 B : PBT
 P : Nylon



RECOMMENDED PCB LAYOUT TOP VIEW



REV	ZONE	REVISION	DATE	APPD.

CHAMPWAY 冠泰電子有限公司 CHAMPWAY ELECTRONICS CO., LTD.		COMPUTER NO.	UNIT	SCALE	PART NAME
D : \ DWG \ SUA-210H2		mm	1 : 1	DOUBLE USB. TYPE A	
APPD.	CKD.	DWG.	DATE	TOLERANCE	REV.
Aaron	Eric	Eric	2010-10-27	$0.000\text{mm} \pm 0.075\text{mm}$ $0.00\text{ mm} \pm 0.15\text{ mm}$ $0.0\text{ mm} \pm 0.25\text{ mm}$	 A.0
MODEL	SUA-210H2 * - * - * * *	PAGE 1 OF 1		8	