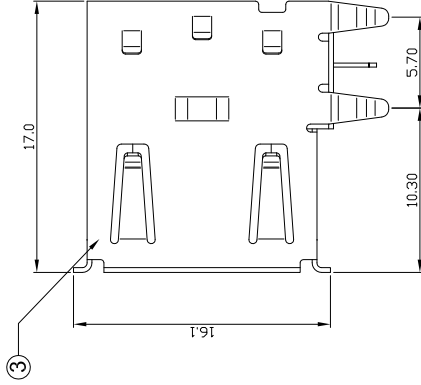
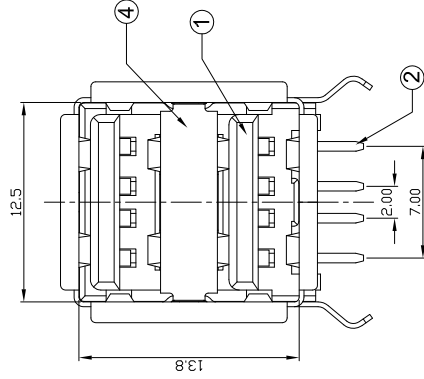
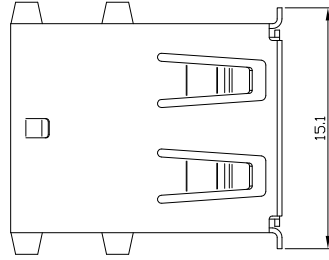


NO.	NAME	MATERIAL
1	HOUSING	PBT / Nylon
2	PIN TERM.	PHOS. BRONZE
3	SHELL	BRASS / SPCC
4	SHELL	BRASS

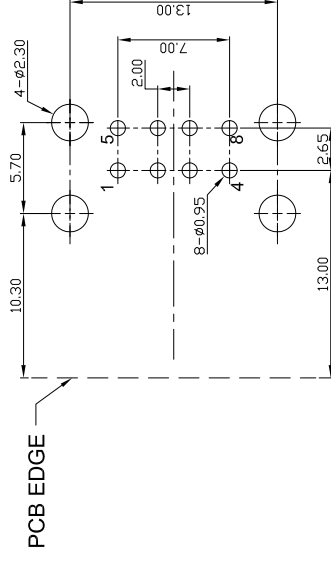
SUA-210H1 * - * * *

Series _____
 Type _____
 Color _____
 B : Black
 W : White

Shell _____
 T : Tin Plated
 F : SPCC
 N : Nickel Plated (Foggy Surface)
 Version _____
 1 : 1.1
 2 : 2.0
 Material _____
 B : PBT
 P : Nylon



**SUGGESTED PCB LAYOUT
TOP VIEW**



REV. ZONE	REVISION	DATE	APPD.
A.1 (A)	增加Foggy Surface敘述	2009.3.24	Aaron

CHAMPWAY 冠泰電子有限公司
 CHAMPWAY ELECTRONICS CO., LTD.

MODEL

SUA-210H1 * - * * *

PAGE 1 OF 1

COMPUTER NO.		UNIT	SCALE	PART NAME
APPD.	CKD.	mm	1 : 1	DOUBLE USB. TYPE A
Michael	Michael	DATE	TOLERANCE	REV.
		2007-08-26	0.000mm ± 0.075mm 0.00 mm ± 0.15 mm 0.0 mm ± 0.25 mm	A.1

