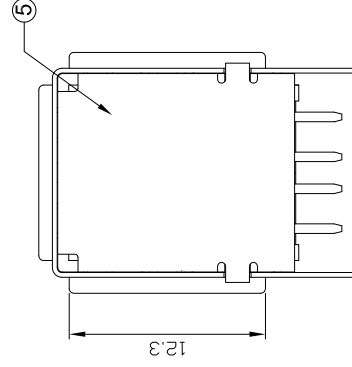
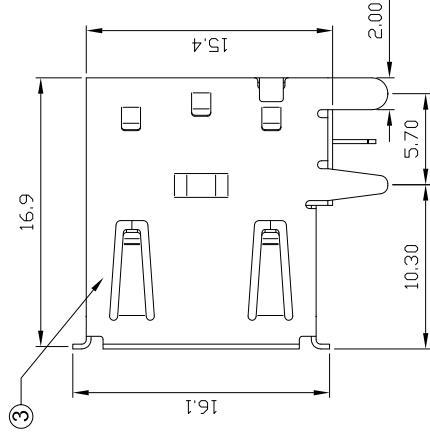
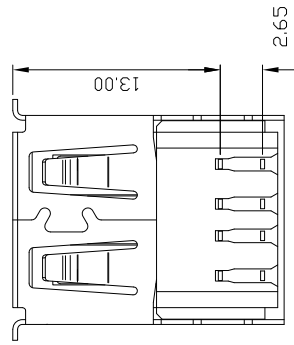
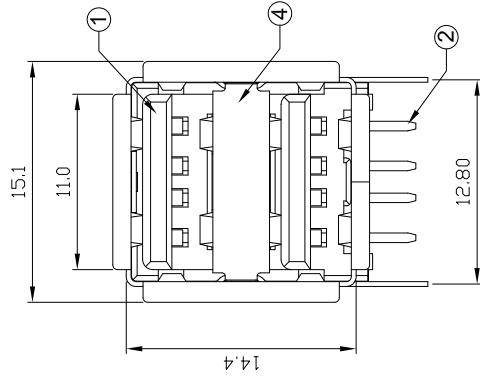
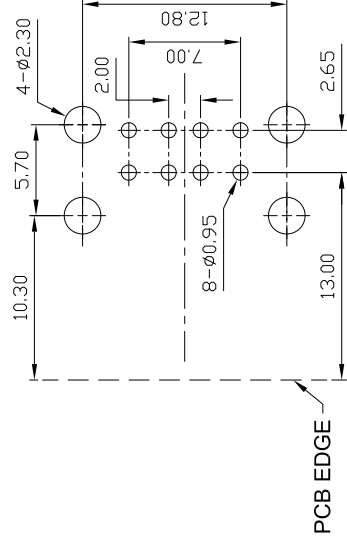


NO.	NAME	MATERIAL
1	HOUSING	PBT / Nylon
2	PIN TERM.	PHOS. BRONZE
3	SHELL	BRASS/ SPCC
4	SHELL	BRASS
5	SHELL	SPCC



**SUGGESTED PCB LAYOUT  
TOP VIEW**



**SUA-210H3 \* - \* - \***

- Series
- Type
- Color
- Shell
- N : Nickel Plated (Foggy Surface) (A)
- T : Tin Plated
- F : SPCC
- Version
- 1 : 1.1
- 2 : 2.0
- Material
- B : PBT
- P : Nylon

**REVISION**

REV.ZONE	REVISION	DATE	APPD.
A.1 (A)	增加Foggy Surface敘述	2009.3.24	Aaron

COMPUTER NO.	UNIT	SCALE	PART NAME
D : \ DWG \ SUA-210H3	mm	1 : 1	DOUBLE USB. TYPE A
APPD.	DATE	TOLERANCE	REV.
Nick	2007-05-07	0.000mm ± 0.075mm 0.00 mm ± 0.20 mm 0.0 mm ± 0.30 mm	A.1

