

| NO. | NAME | MATERIAL |
|-----|-----------|--------------|
| 1 | HOUSING | PBT / Nylon |
| 2 | PIN TERM. | PHOS. BRONZE |
| 3 | SHELL | BRASS |

SUA-110H*-*-*

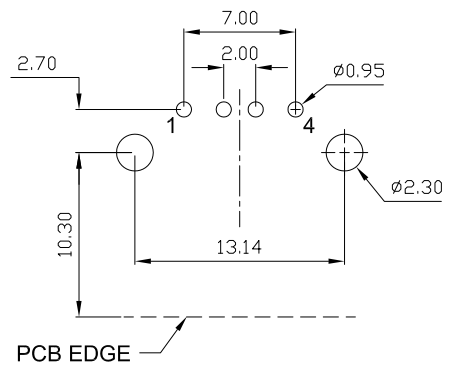
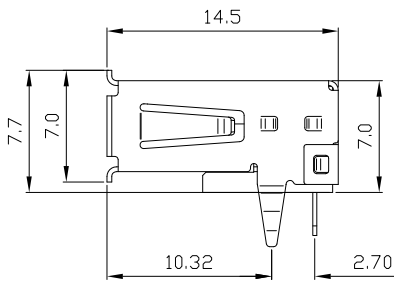
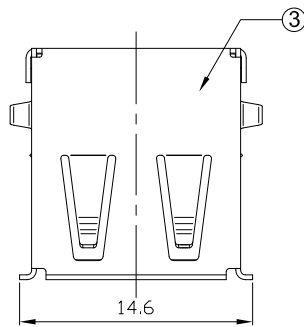
Series _____
 Type _____
 Color _____
 B : Black
 W : White

Shell
 T : Tin Plated
 F : SPCC
 N : Nickel Plated (Foggy Surface)

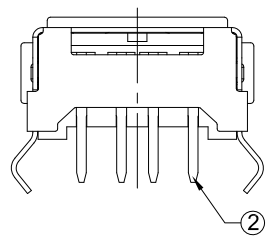
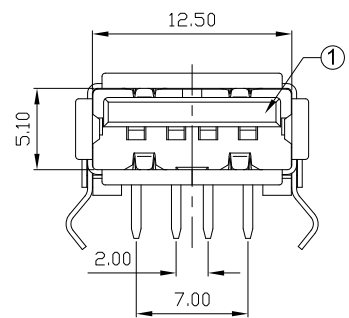
Version
 1 : 1.1
 2 : 2.0

Material
 B : PBT
 P : Nylon

| REV | ZONE | REVISION | DATE | APPD. |
|-----|------|-------------------|------------|-------|
| A.1 | (A) | 增加Foggy Surface敘述 | 2009-03-20 | Aaron |
| | | | | |
| | | | | |



**SUGGESTED PCB LAYOUT
TOP VIEW**



| | | | | | | |
|----------------------|---------|---------|------------|--|-----------------------------|------|
| COMPUTER NO. | | | UNIT | SCALE | PART NAME | |
| D : \ DWG \ SUA-110H | | | mm | 1 : 1 | USB. TYPE A FLAT 90° DTP | |
| APPD. | CKD. | DWG. | DATE | TOLERANCE | | REV. |
| Aaron | Michael | Valiant | 2007-03-12 | 0.000mm ± 0.075mm 0.00 mm ± 0.15 mm 0.0 mm ± 0.25 mm | | A.1 |