

NO.	NAME	MATERIAL
1	HOUSING	PBT / Nylon
2	PIN TERM.	Copper Alloy
3	SHELL	Alloy

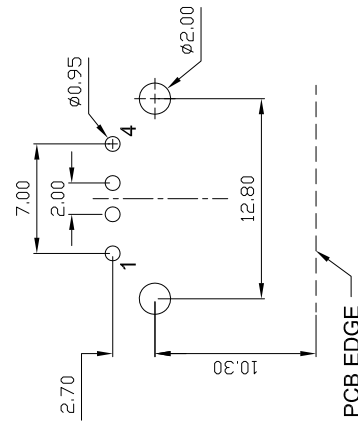
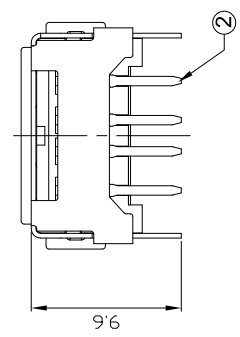
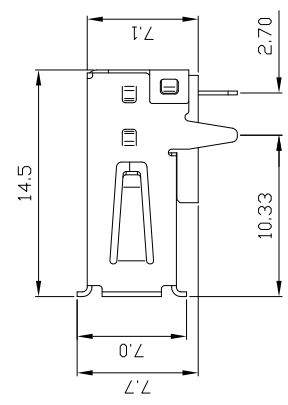
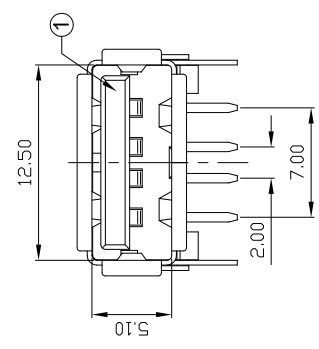
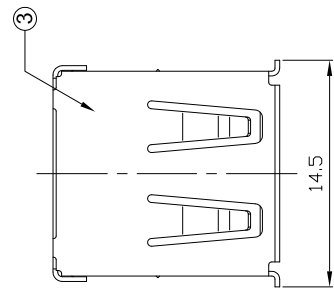
SUA-110H3 * - * * *

Series: _____
 Type: _____
 Color: _____
 B : Black
 W : White

Shell: _____
 N : Nickel Plated

Version: _____
 1 : 1.1
 2 : 2.0

Material: _____
 B : PBT
 P : Nylon



RECOMMENDED PCB LAYOUT
TOP VIEW

REVZONE	REVISION	DATE	APPD.

COMPUTER NO.	UNIT	SCALE	PART NAME
D : \ DWG \ SUA-110H3	mm	1 : 1	USB. TYPE A REVERSE FLAT 90° DIP
APPD.	DATE	TOLERANCE	REV.
Michael	2010-11-23	0.000mm ± 0.075mm 0.00 mm ± 0.15 mm 0.0 mm ± 0.25 mm	A.0

