

NO.	NAME	MATERIAL
1	HOUSING	PBT / Nylon
2	PIN TERM.	PHOS. BRONZE
3	SHELL	BRASS

SUA-110H4 * - * * *

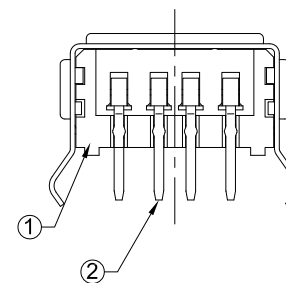
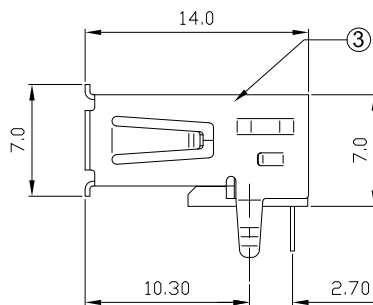
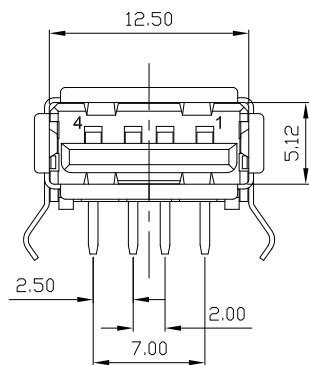
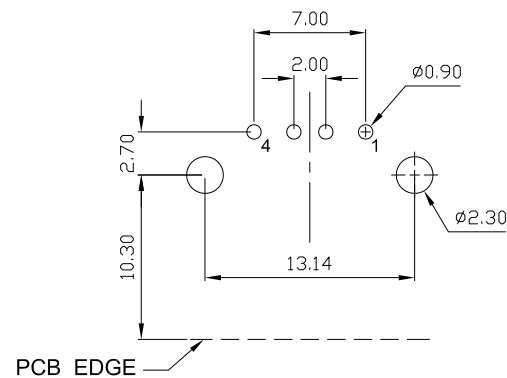
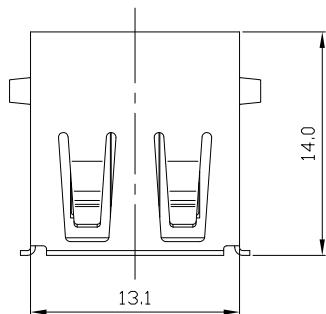
Series _____
 Type _____
 Color _____
 B : Black
 W : White

Shell
 T : Tin Plated
 N : Nickel Plated (Foggy Surface)

Version
 1 : 1.1
 2 : 2.0

Material
 B : PBT
 P : Nylon

REV	ZONE	REVISION	DATE	APPD.
A.1	(A)	增加Foggy Surface敘述	2009-03-20	Aaron



CHAMPWAY 冠泰電子有限公司
 CHAMPWAY ELECTRONICS CO., LTD.

COMPUTER NO.			UNIT	SCALE	PART NAME	
D : \ DWG \ SUA-110H4			mm	1 : 1	USB. TYPE A REVERSE FLAT 90° DIP	
APPD.	CKD.	DWG.	DATE	TOLERANCE		REV.
	Michael	Michael	2007-06-02	0.000mm ± 0.075mm 0.00 mm ± 0.15 mm 0.0 mm ± 0.25 mm		A.1

MODEL SUA-110H4 * - * * * PAGE 1 OF 1