

NO.	NAME	MATERIAL
1	HOUSING	PBT
2	PIN TERM.	PHOS. BRONZE
3	SHELL	BRASS
4	SHELL COVER	BRASS

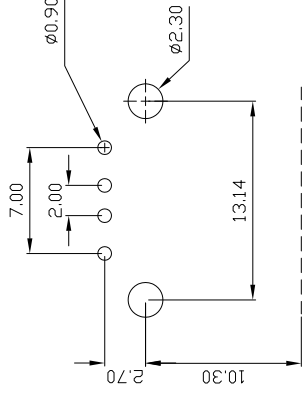
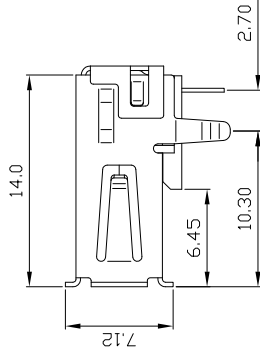
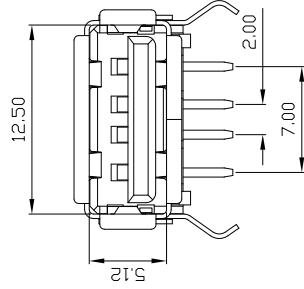
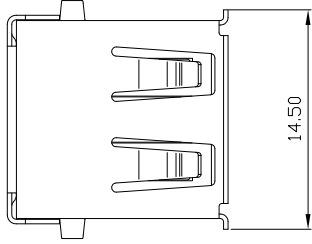
SUA-110H5 * - * * *

Series: _____
 Type: _____
 Color: _____
 B : Black
 W : White

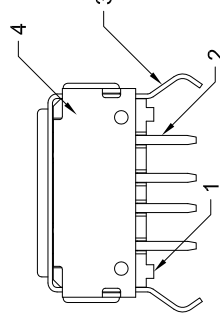
Shell: _____
 T : Tin Plated
 N : Nickel Plated (foggy surface)

Version: _____
 1 : 1.1
 2 : 2.0

Material: _____
 B : PBT
 P : Nylon



SUGGESTED PCB LAYOUT
TOP VIEW



REV. ZONE	REVISION	DATE	APPD.
A.1	增加Foggy Surface敘述	2009-03-20	Aaron



CHAMPWAY

冠泰電子有限公司
CHAMPWAY ELECTRONICS CO., LTD.

MODEL

SUA-110H5 * - * * *

PAGE 1 OF 1

COMPUTER NO.

D : \ DWG \ SUA-110H5

APPD. CKD. DWG.

Michael

Michael

UNIT

mm

DATE

2008-02-20

SCALE

1 : 1

TOLERANCE

0.00mm ± 0.075mm
 0.00 mm ± 0.15 mm
 0.0 mm ± 0.25 mm

PART NAME

USB, TYPE A REVERSE
FLAT 90° DIP



REV.

A.1