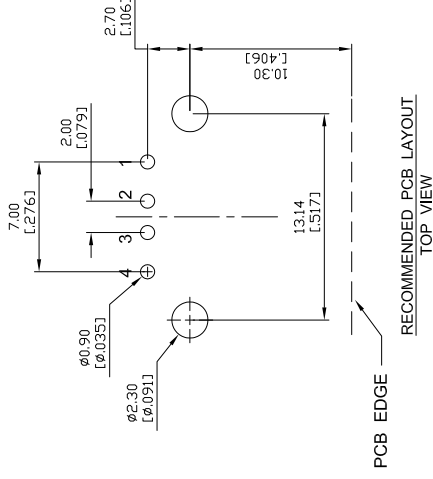
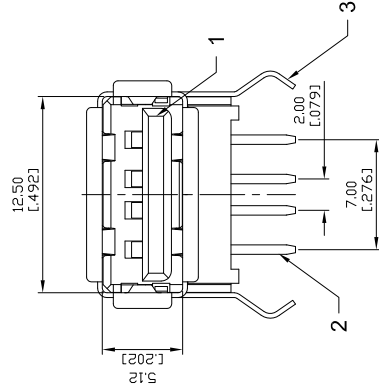
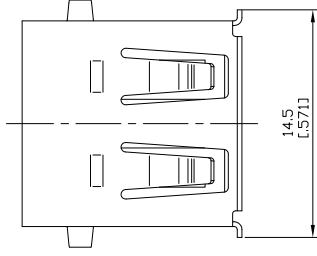
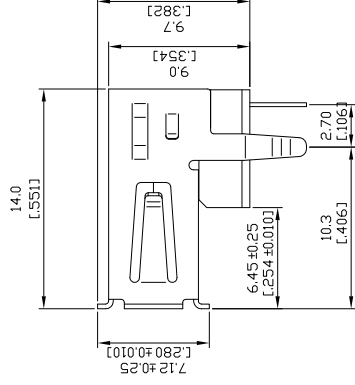


NO.	NAME	MATERIAL
1	HOUSING	PBT / Nylon
2	PIN TERM.	PHOS. BRONZE
3	SHELL	BRASS



RECOMMENDED PCB LAYOUT
TOP VIEW



SUA-110H6 * - * * *

Series: Shell
 Type: N : Nickel Plated
 T : Tin Plated
 Color: Version
 B : Black 1 : 1.1
 W : White 2 : 2.0
 Material: B : PBT
 P : Nylon

REV. ZONE	REVISION	DATE	APPD.

COMPUTER NO.
 D : \ DWG \ SUA-110H6

UNIT
 mm

SCALE
 1 : 1

PART NAME
 USB TYPE A REVERSE
 FLAT 90° DIP

APPD. Michael
 CKD. Michael
 DWG. Michael
 DATE 2009-08-07

TOLERANCE
 0.000mm ± 0.075mm
 0.00 mm ± 0.15 mm
 0.0 mm ± 0.25 mm

REV. A.0