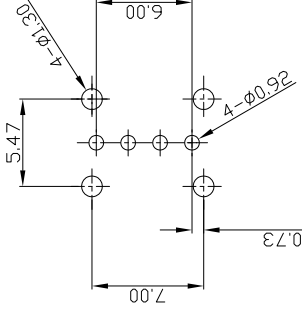
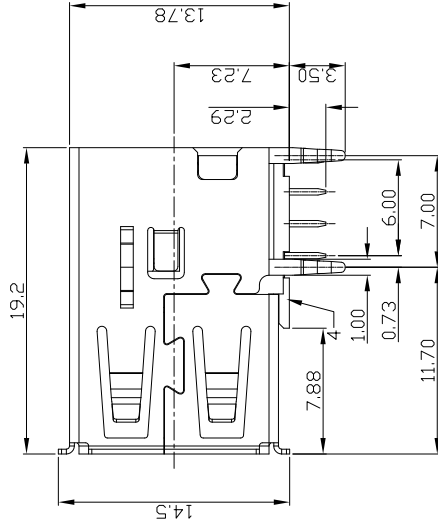
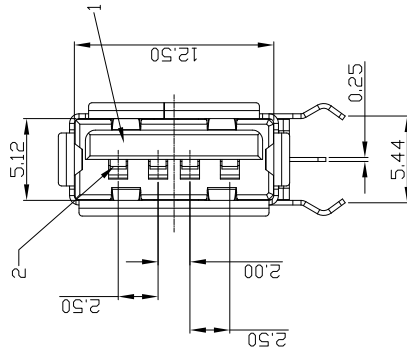
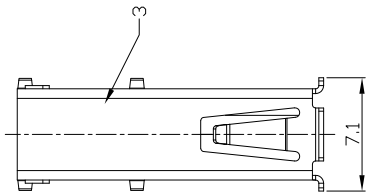
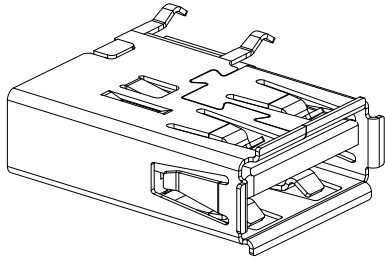


NO.	NAME	MATERIAL	FINISH
1	HOUSING	NYLON / PBT	
2	TERMINAL	COPPER ALLOY	Gold-Tin Plated
3	SHELL	COPPER ALLOY	Ni Plated
4	CAP	NYLON / PBT	



**RECOMMENDED PCB LAYOUT
TOP VIEW**
P.C.B THICKNESS=1.57±0.05mm

SUA-110V4*-**

Series: _____
 Type: _____
 Color: _____
 B : Black
 W : White

Shell: N: Nickel Plated
 Version: 1 : 1.1
 2 : 2.0
 Material: B : PBT
 P : Nylon

REV: ZONE

REVISION

DATE

APPD.

CHAMPWAY
 冠泰電子有限公司
 CHAMPWAY ELECTRONICS CO., LTD.

MODEL

SUA-110V4*-**

PAGE 1 OF 1

COMPUTER NO.

D : \ DWG \ SUA-110V4

APPD.

CKD.

DATE

2010-06-14

SCALE

1 : 1

TOLERANCE

0.000mm ± 0.075mm
 0.00 mm ± 0.15 mm
 0.0 mm ± 0.25 mm

PART NAME

USB. TYPE A REVERSE
 UPRIGHT 90° DIP

REV.

A.0

