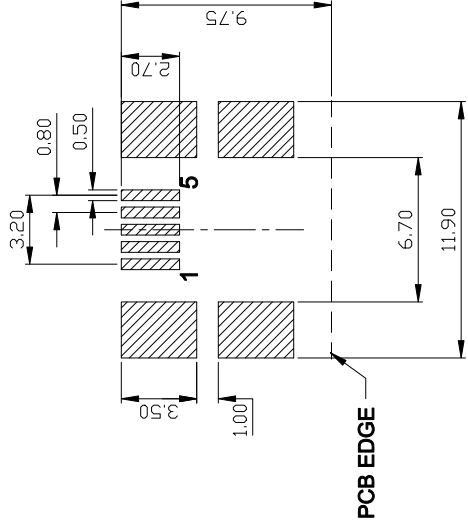
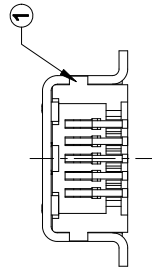
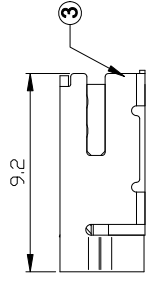
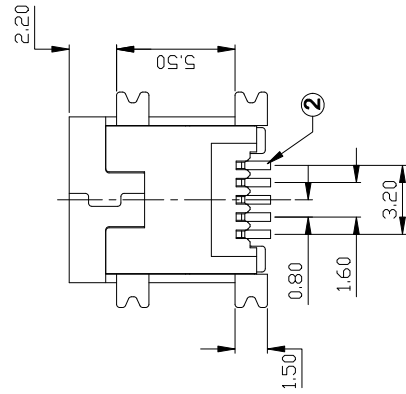
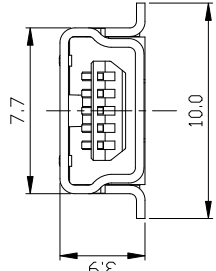


1 2 3 4 5 6 7 8

NO.	NAME	MATERIAL
1	HOUSING	PBT / Nylon
2	PIN TERM.	PHOS. BRONZE
3	SHELL	BRASS

SUA-120M1 * - * * *

Series: **SUA-120M1**
 Type: *** - * * ***
 Color: **B : Black, W : White**
 Shell: **N : Nickel Plated, T : Tin Plated, F : SPCC**
 Version: **1 : 1.1, 2 : 2.0**
 Material: **B : PBT, P : Nylon**



**SUGGESTED PCB LAYOUT
TOP VIEW**

PCB EDGE

A B C D E F G H

REVZONE	REVISION	DATE	APPD.

COMPUTER NO.	UNIT	SCALE	PART NAME
D : \ DWG \ SUA-120M1	mm	1 : 1	USB MINI B CONNECTOR CONTACT-SMT SHIELD-SMT
APPD.	DATE	TOLERANCE	REV.
Michael	2007-01-24	0.000mm ± 0.075mm 0.00 mm ± 0.15 mm 0.0 mm ± 0.25 mm	A.0

CHAMPWAY 冠泰電子有限公司
 CHAMPWAY ELECTRONICS CO., LTD.

MODEL: SUA-120M1 * - * * * PAGE 1 OF 1

1 2 3 4 5 6 7 8