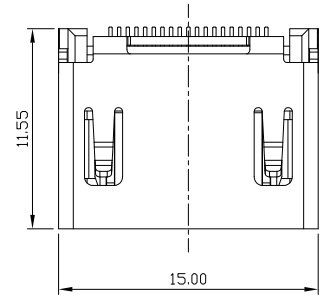
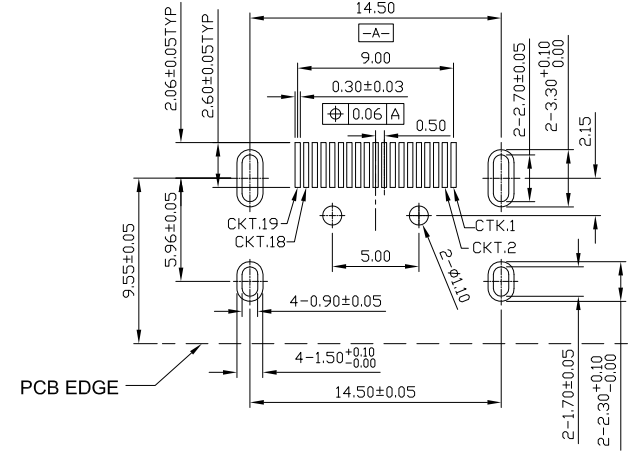
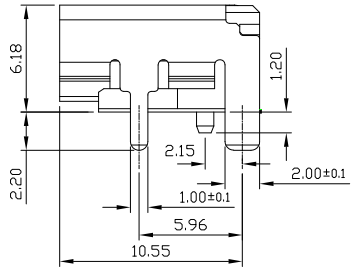
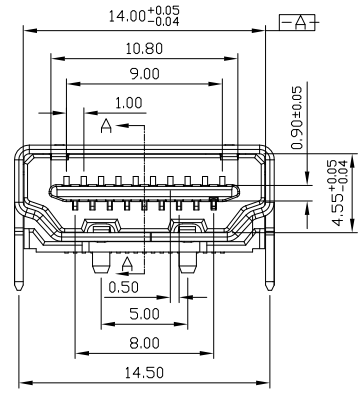


REV	ZONE	REVISION	DATE	APPD.

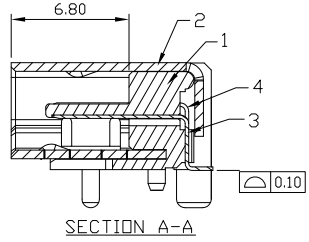
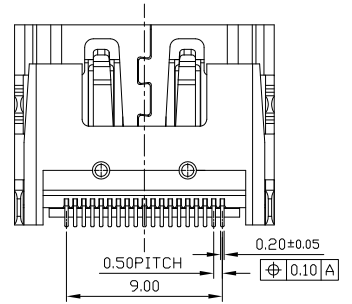


C - SUD-110M7 * - * * *

Series _____ Shell
 Type _____ N : Nickel Plated
 Color _____ Gold Plated
 B : Black 0 : Gold Flash
 Material _____ 1 : 5u"
 L : LCP 2 : 15u"
 3 : 30u"



RECOMMENDED PCB LAYOUT TOP VIEW



NO.	NAME	MATERIAL	PLATING
1	HOUSING	LCP	
2	SHELL	Alloy	Ni-Plated
3	CONTACT 1	Copper Alloy	Gold-Plated
4	CONTACT 2	Copper Alloy	Gold-Plated



COMPUTER NO.			UNIT	SCALE	PART NAME		
D:\DWG\HM10B			mm	1:1	HDMI RECEPTACLE,R/A, SMT TYPE 0.5mm PITCH, 19 POS.		
APPD.	CKD.	DWG.	DATE	TOLERANCE			
	Aaron	Eric	2011-01-05	0.000mm ± 0.075mm 0.00 mm ± 0.20 mm 0.0 mm ± 0.25 mm			
MODEL	C-SUD-110M7 * - * * *	PAGE 1 OF 1					REV. A.0