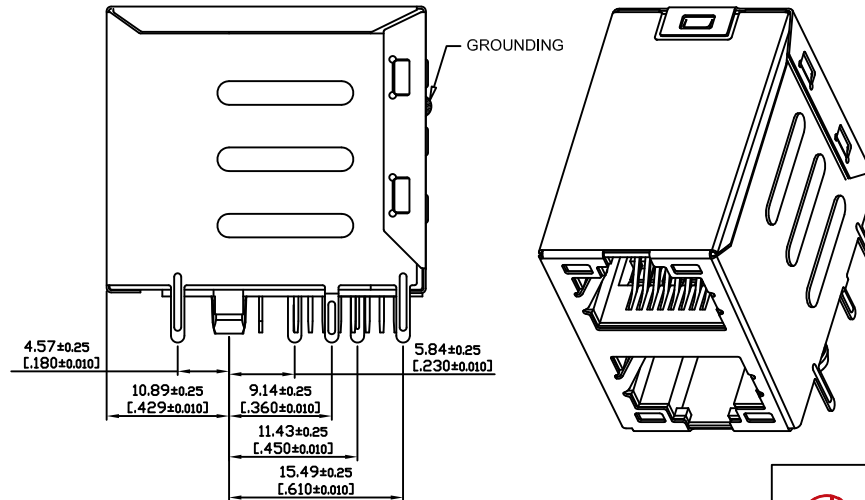
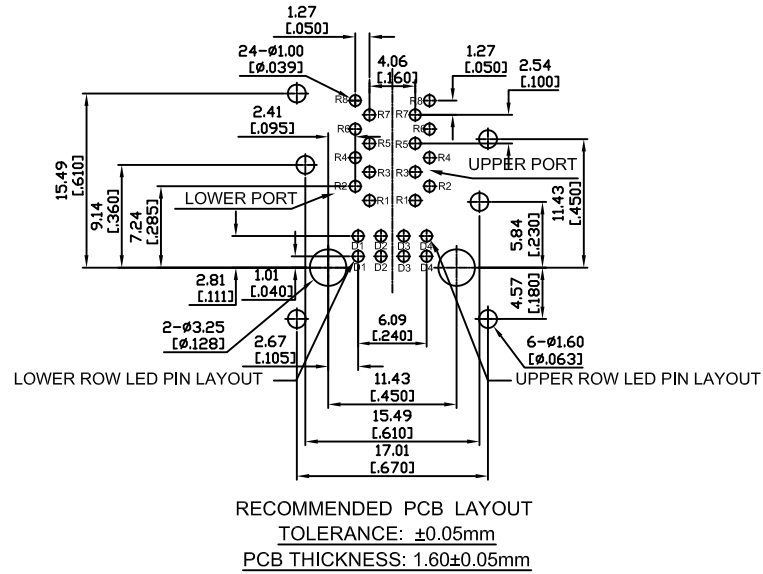
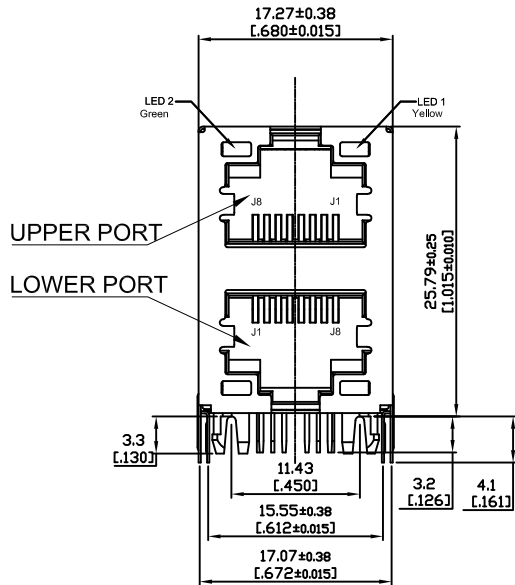
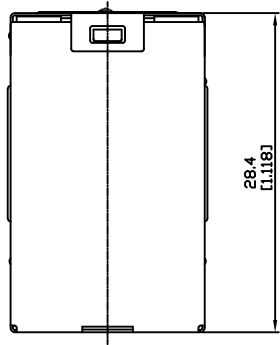
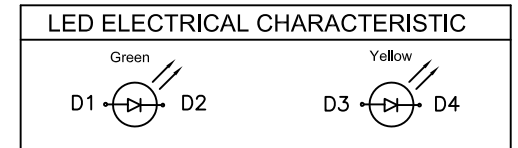
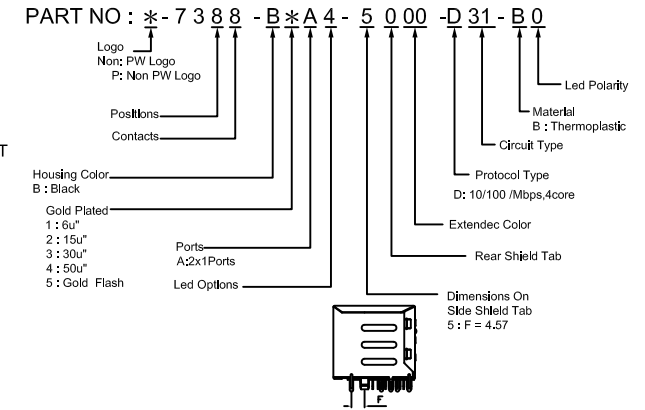


# 1. MECHANICAL DIMENSIONS:



- Note:
- Housing: Thermoplastic UL 94V-0
  - Contact : Selective Gold Plating
  - Terminal: 0.25mm Thickness Copper Alloy Plated With Gold And Tin In Solder Area.
  - Front & Back Shielded:Copper Alloy ,Nickel Plating
  - Operating Temperature : 0°C~70°C



ZONE	REV.	DESCRIPTION	DATE	DWG	FILE NO : 73(SERIES)	TITLE 圖名	RJ45 Connector,Shielded, With Led With Transformer, 10/100Mbps Filter	UNIT 單位	mm inch
					TOLERANCE(公差): 0.000 mm ± 0.075 mm 0.00 mm ± 0.15 mm 0.0 mm ± 0.25 mm	PART NO. 料號	P-7388-B * A4-5000-D31-B0	SCALE 比例	1 : 1
						REV. 版本	A.0	DATE 日期	2014-02-19
						CHECKED BY 審核	Jay	DRAWN BY 製圖	Sword

