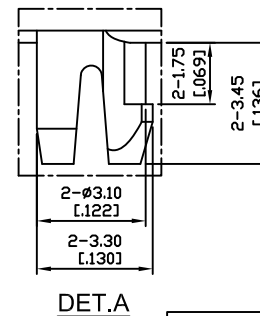
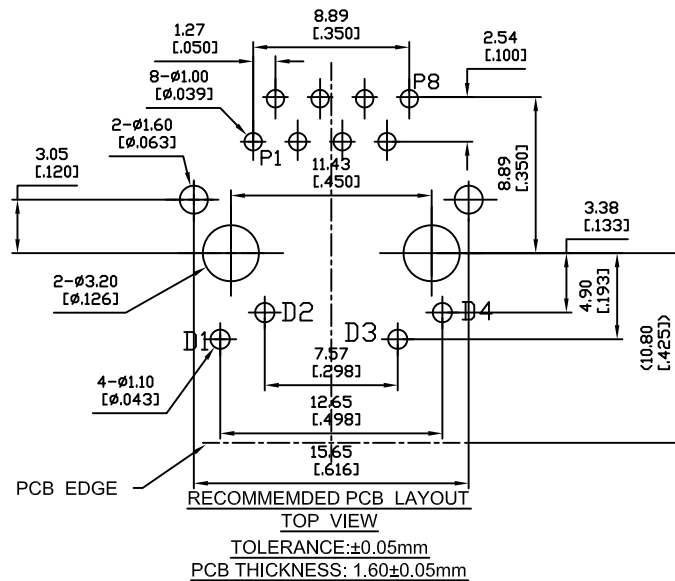
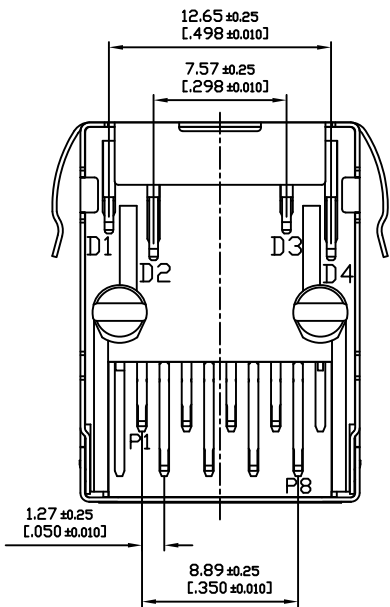
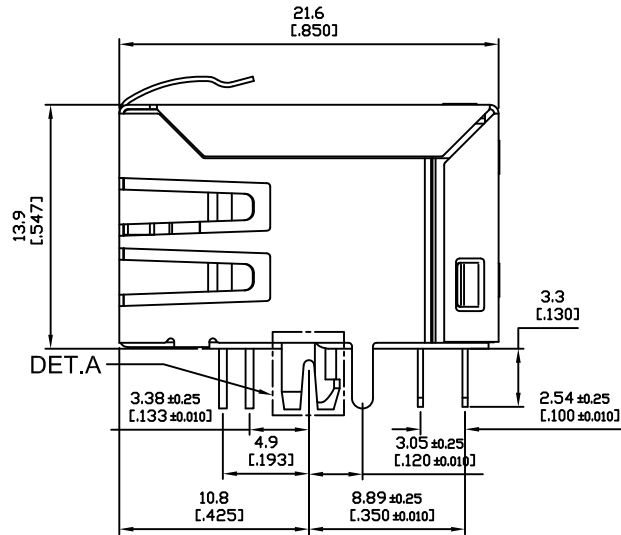
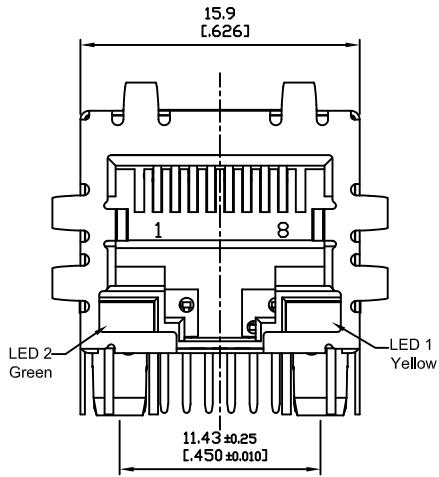


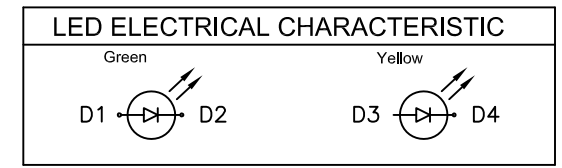
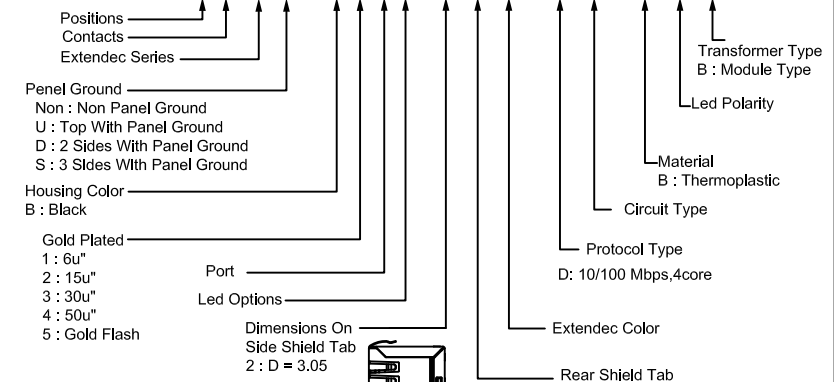
1. MECHANICAL DIMENSIONS:



Note:

- 1.Housing: Thermoplastic UL 94V-0
- 2.Contact : Selective Gold Plating
- 3.Terminal: 0.35mm Thickness Copper Alloy Plated With Gold And Tin In Solder Area.
- 4.Shielded: Copper Alloy,Nickel Plating
- 5.Operating Temperature Range : 0°C~70°C

PART NO : 7 5 8 8 A S - B * 1 4 - 2 0 0 0 - D 2 2 - B 0 B



CHAMPWAY 冠泰電子有限公司
CHAMPWAY ELECTRONICS CO., LTD.

ZONE	REV.	DESCRIPTION	DATE	DWG	FILE NO : 75 (SERIES)	TITLE	RJ45 Connector,Shielded, With Led With Transformer, 10/100 Mbps Filter	UNIT	mm
						圖名		單位	inch
						PART NO.	7588AS-B*14-2000-D22-B0B	SCALE	1:1
						料號		比例	
						REV.	A.0	DATE	2014-02-19
						版本		日期	
						CHECKED BY	Jay	DRAWN BY	Sword
						審核		製圖	

TOLERANCE(公差):
0.000 mm ± 0.075 mm
0.00 mm ± 0.15 mm
0.0 mm ± 0.25 mm

