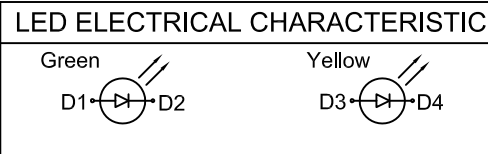
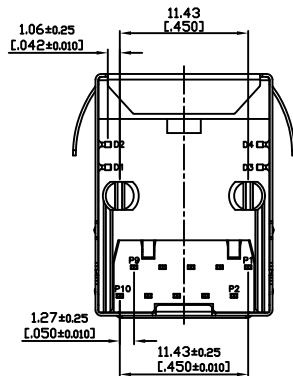
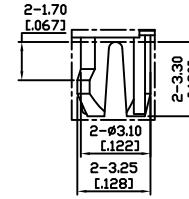
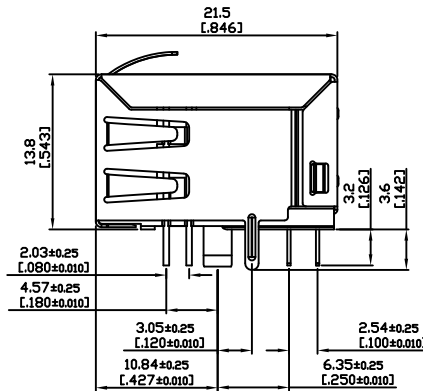
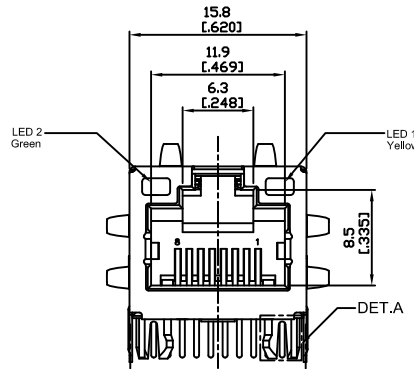
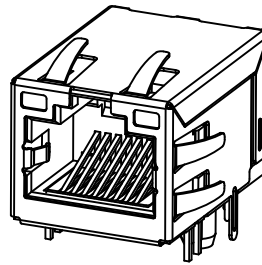
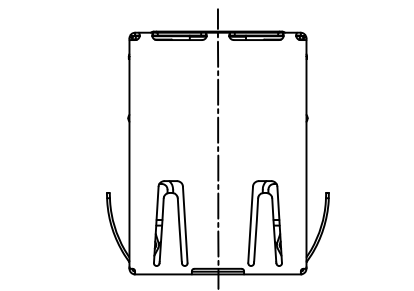
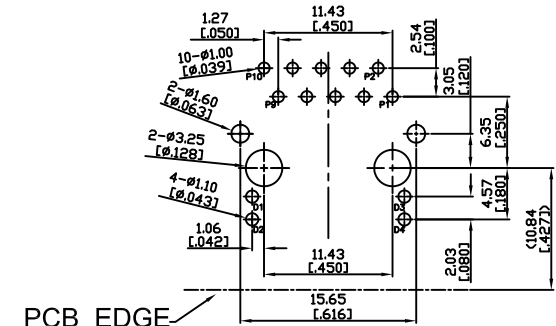
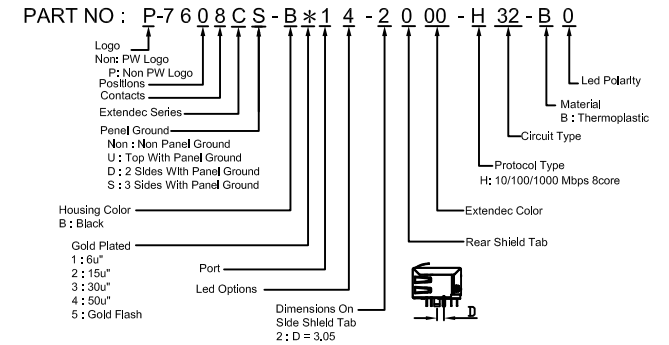


# 1. MECHANICAL DIMENSIONS:



## Note:

- 1.Housing: Thermoplastic UL 94V-0
- 2.Contact : Selective Gold Plating
- 3.Terminal: 0.35mm Thickness Copper Alloy Plated With Gold And Tin In Solder Area.
- 4.Shielded: Copper Alloy,Nickel Plating
- 5.Operating Temperature Range : 0°C ~+70°C



RECOMMENDED PCB LAYOUT

TOP VIEW

TOLERANCE:±0.05mm

PCB THICKNESS: 1.60±0.05mm

 **CHAMPWAY** 冠泰電子有限公司  
CHAMPWAY ELECTRONICS CO., LTD.

ZONE	REV.	DESCRIPTION	DATE	DWG	FILE NO : 76(SERIES)	TITLE	RJ45 Connector,Shielded, With Led With Transformer, 1000 Mbps Filter	UNIT	mm
					TOLERANCE(公差): 0.000 mm ± 0.075 mm 0.00 mm ± 0.15 mm 0.0 mm ± 0.25 mm	圖名		單位	inch
						料號	P-7608CS-B * 14-2000-H32-B0	SCALE	1:1
						版本	A.0	DATE	2014-02-19
						日期		製圖	Sword
						審核	Jay	DRAWN BY	Sword

