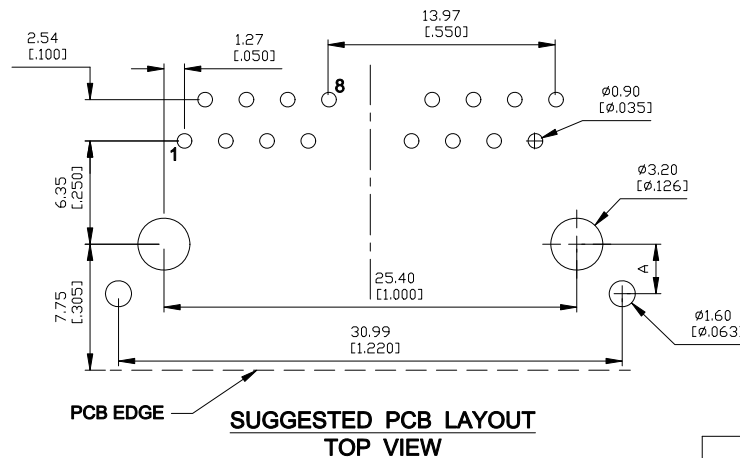
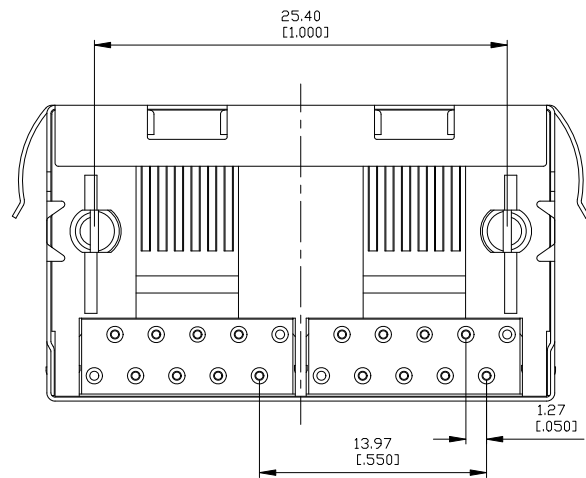


**Electrical Characteristics :**  
**Insulation Resistance : 500MΩ Min.**  
**Contact Resistance : 30mΩ Max.**  
**Withstand Voltage : 1000 VAC 1 minute.**  
**Current Rating : 1.5A**

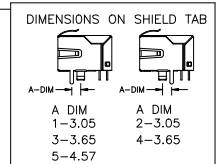
**Material:**  
**Housing : Thermoplastic UL94V-0**  
**Contact : Full Gold Plating**  
**Spring Wire : Dia 0.45mm Phosphor Bronze**  
**Optional Gold Plating Over Nickel**  
**Shield : Brass, Nickel Plating.**  
**CUL File No : E215573**



**PART NO : 8508S-B\*2\***

Positions  
 Contacts  
 Housing Color  
 B : Black

**Gold Plated**  
**0 : Gold Flash**  
**1 : 6u"**  
**2 : 15u"**  
**3 : 30u"**  
**4 : 50u"**



**CHAMPWAY** 冠泰電子有限公司  
 CHAMPWAY ELECTRONICS CO., LTD.

ZONE	REV.	DESCRIPTION	DATE	APPD.	FILE NO : 85 (SERIES)	TITLE	SHIELDED RJ45 SIDE ENTRY PCB JACK		UNIT	mm	
(A)	A.1	Withstand Voltage 500修改為1000VAC	2008-08-01	Nick	<b>TOLERANCE (公差) :</b> 0.000 mm ± 0.075 mm 0.00 mm ± 0.15 mm 0.0 mm ± 0.25 mm	圖名			單位	inch	
(B)						PART NO.	8508S-B*2*		SCALE	1:1	
(C)						REV.	A.1	DATE	2008-05-23		
(D)						CHECKED BY	Michael		DRAWN BY	Maisie	
(E)						審核			製圖		